

□ = Proposed location of two bathroom fan roof vents as visible from 22nd ST N
(vaulted bathroom ceiling and finished attic ceiling prevent installing vents on other roof sections)

Tessie Brown
Tucker Brown
3607 22ND ST N
Arlington, VA 22207



SHEET TITLE

SHEET #

□ = Proposed location of one bathroom fan roof vent as visible from directly behind the house;
NOT visible from street/sidewalk

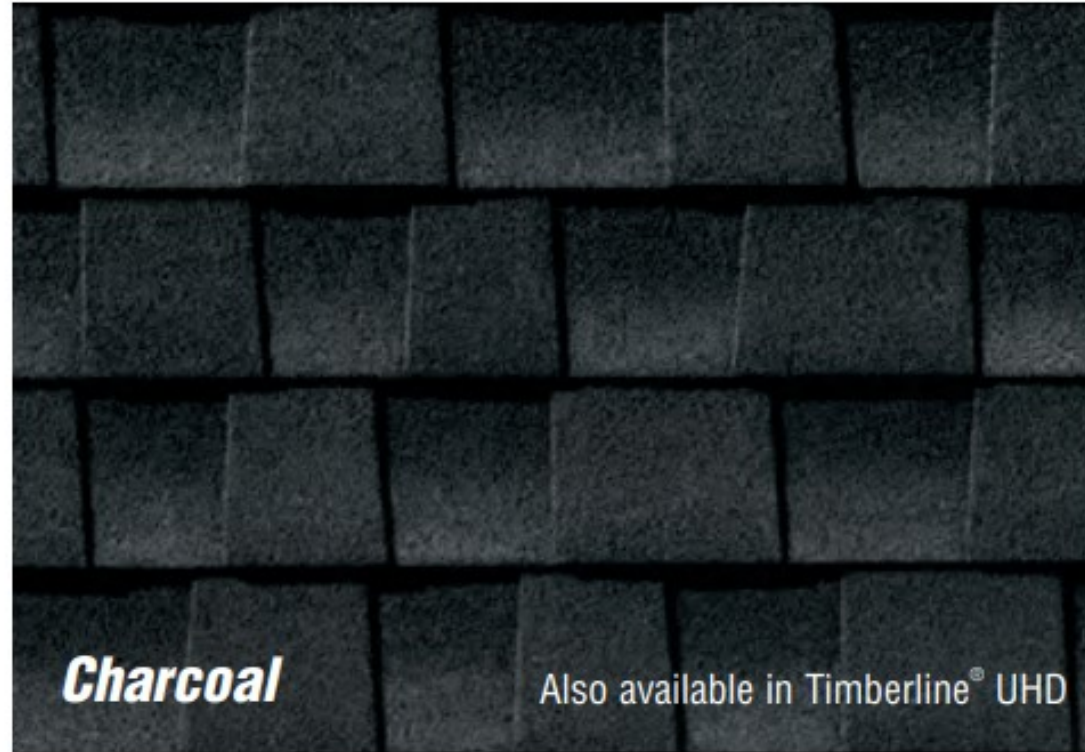


Tessie Brown
Tucker Brown
3607 22ND ST N
Arlington, VA 22207

SHEET TITLE

SHEET #

Shingles style: Asphalt architectural
 Color: charcoal



Tessie Brown
 Tucker Brown
 3607 22ND ST N
 Arlington, VA 22207

Manufacturer specifications:

Timberline® HDZ™ Shingles



Benefits:

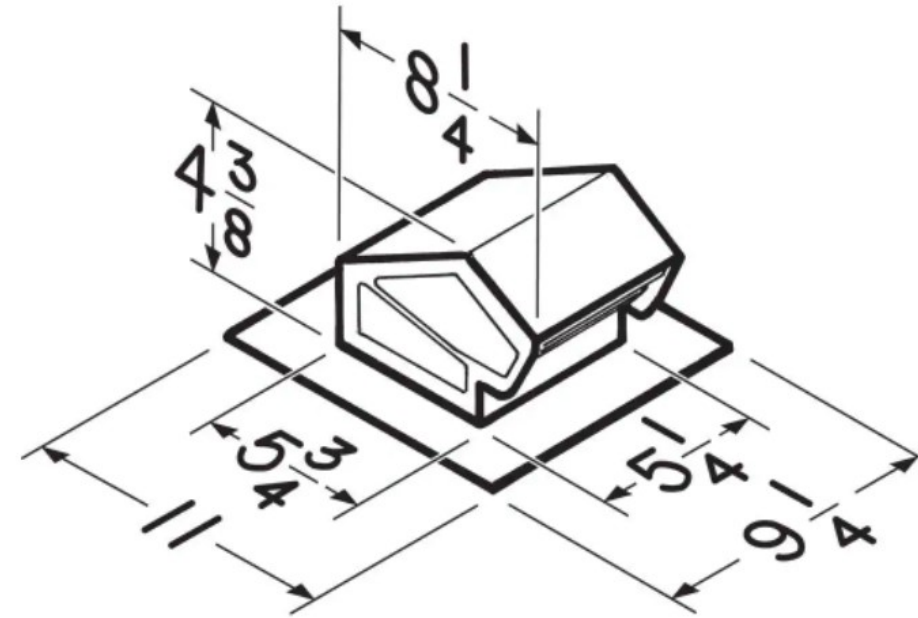
- **LayerLock™ Technology** mechanically fuses the common bond between overlapping shingle layers.
- The added strength at the common bond powers the **StrikeZone™** — The industry's widest nailing area.
- **Up to 99.9% nailing accuracy** — The StrikeZone™ nailing area is so easy to hit that a roofer placed 999 out of 1,000 nails correctly in our test.²
- **Up to 30% faster nail fastening** thanks to the industry's largest nail zone.²
- Our legendary **Dura Grip™** sealant pairs with the smooth microgranule surface of the StrikeZone™ nailing area for fast tack. Then, an asphalt-to-asphalt monolithic bond cures for durability, strength, and exceptional wind uplift performance.
- **WindProven™ Limited Wind Warranty¹** — When installed with the required combination of GAF Accessories, Timberline® HDZ™ Shingles are eligible for an industry first: a wind warranty with no maximum wind speed limitation.

	SHEET TITLE
	SHEET #

**Manufacturer photo of bathroom fan roof vent
(installing roof vents for existing bathroom fans that currently vent directly into attic)**



Dimensions (inches):



Tessie Brown
Tucker Brown
3607 22ND ST N
Arlington, VA 22207

Manufacturer specifications:

Product Overview

The RVK1A Steel Roof Cap Kit is an easy-to-install vent for ventilation fans (bath, rec room, home gym, etc.). It is compatible with 3" or 4" ductwork and includes a 3" to 4" adapter for convenience. This cap features both a back draft damper and bird screen, preventing outside air from entering the home and birds and small pests from entering duct work. This kit includes all materials needed for installation, including 8 ft. of 4" flexible ducting, 4" metal duct connector, 4" to 3" Reducer, nylon zip ties and mounting screws. The flexible ducting conforms to UL 181 Class 1 Air Connector and CUL S110 requirements. Not suitable for dryer venting or flat roofs.

- Shop all [Broan-NuTone Bathroom Exhaust Fans](#)
- Built-in backdraft damper prevents outside air from entering home
- Built-in bird screen prevents birds and other small animals from entering duct work
- Kit includes all materials needed for install: 8 ft. of 4" flexible ducting, 4" metal duct connector, 4" to 3" Reducer, nylon zip ties and mounting screws
- Constructed of durable, resilient steel with a black powder coat finish

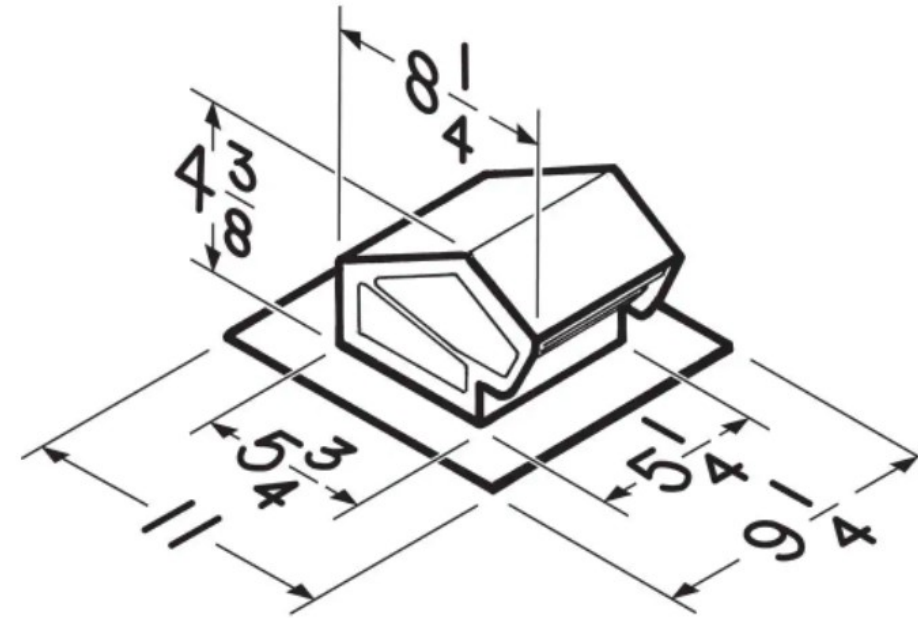
SHEET TITLE

SHEET #

**Manufacturer photo of bathroom fan roof vent
(installing roof vents for existing bathroom fans that currently vent directly into attic)**



Dimensions (inches):



Tessie Brown
Tucker Brown
3607 22ND ST N
Arlington, VA 22207

Manufacturer specifications:

Product Overview

The RVK1A Steel Roof Cap Kit is an easy-to-install vent for ventilation fans (bath, rec room, home gym, etc.). It is compatible with 3" or 4" ductwork and includes a 3" to 4" adapter for convenience. This cap features both a back draft damper and bird screen, preventing outside air from entering the home and birds and small pests from entering duct work. This kit includes all materials needed for installation, including 8 ft. of 4" flexible ducting, 4" metal duct connector, 4" to 3" Reducer, nylon zip ties and mounting screws. The flexible ducting conforms to UL 181 Class 1 Air Connector and CUL S110 requirements. Not suitable for dryer venting or flat roofs.

- Shop all [Broan-NuTone Bathroom Exhaust Fans](#)
- Built-in backdraft damper prevents outside air from entering home
- Built-in bird screen prevents birds and other small animals from entering duct work
- Kit includes all materials needed for install: 8 ft. of 4" flexible ducting, 4" metal duct connector, 4" to 3" Reducer, nylon zip ties and mounting screws
- Constructed of durable, resilient steel with a black powder coat finish

SHEET TITLE

SHEET #