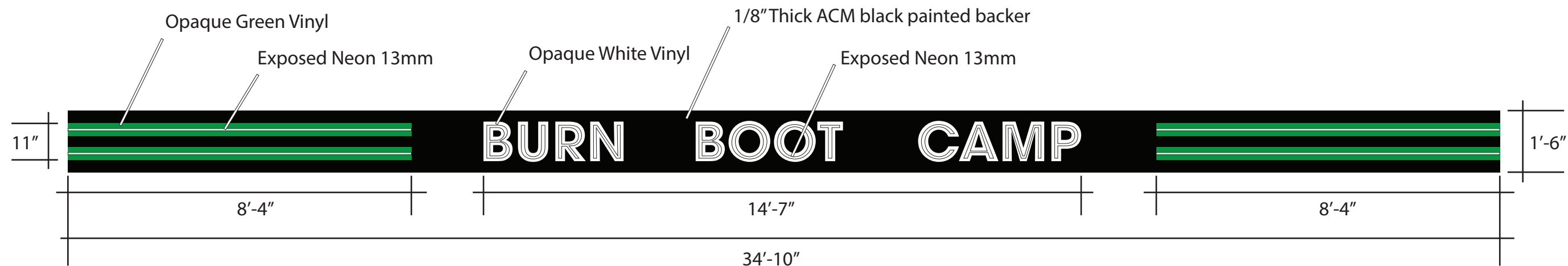


Illuminated Face lit Exposed Neon Letters with backer on raceway



**SIGN DETAIL-Side A**

STORE FRONTAGE = 37'-5"  
 TOTAL SQ.FT. = 52.25 sq.ft.  
 SCALE: 3/8" = 1'-0"



Proposed



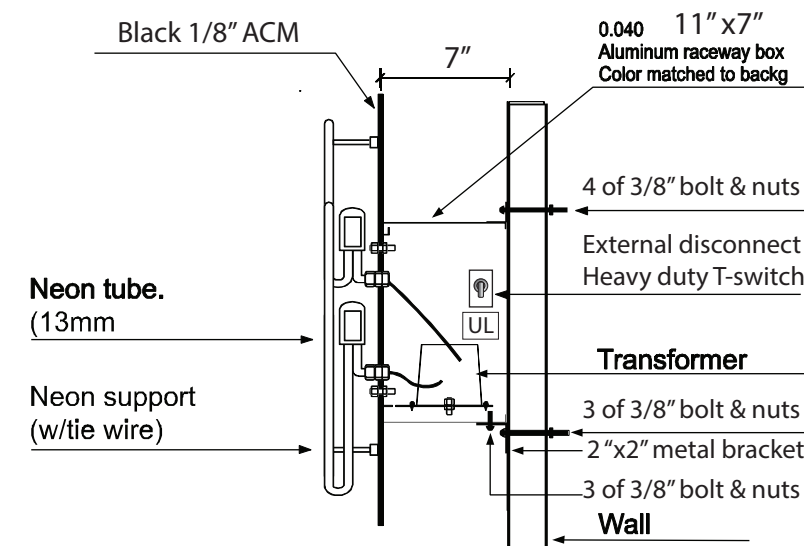
Existing



Store Front: 37.5' / 15'-4" from ground to top of the sign

**SIGN SPECS (materials & mounting details)**

**NEON**



This sign is intended to be installed in accordance with the requirements Article 600 of the National Electrical Code and/or other applicable local c this includes proper grounding and bonding of the sign.

**NOTE: PRINTED COLORS ARE NOT AN EXACT MATCH FOR MATERIAL COLORS**

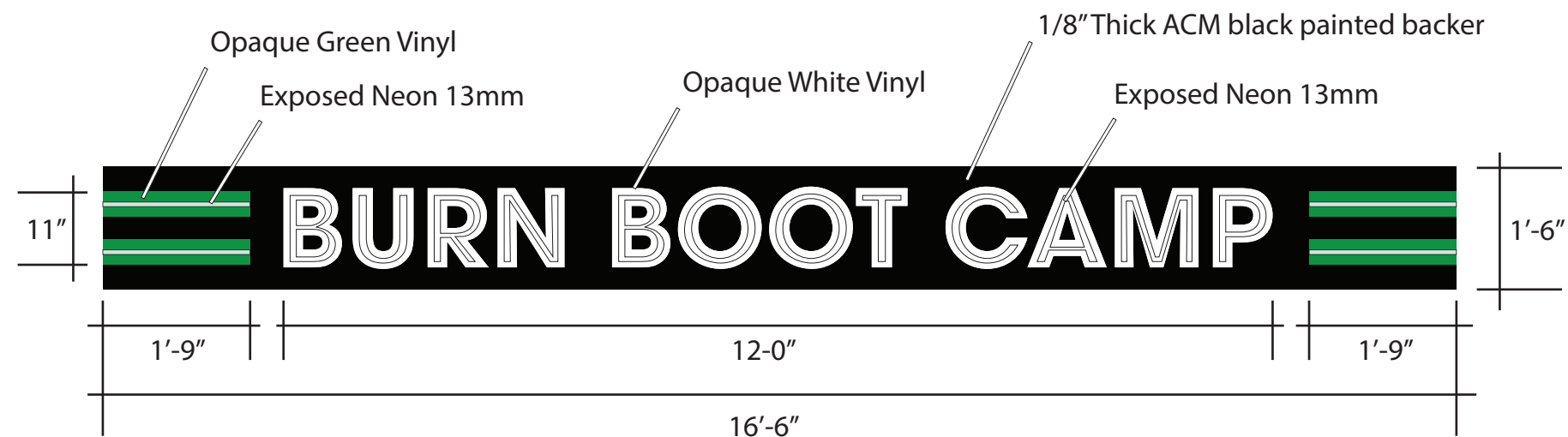
**Creation Sign LLC**  
 7364 McWhorter Pl.  
 Annandale, VA 22003  
 703-622-5958

This is an original design submitted by Creation Sign LLC for your personal use. It is not to be shown to anyone outside your firm, nor is it to be used, copied reproduced, or exhibited to anyone. All or any part of this design (except registered trademarks) remain the property of Creation Sign LLC

DRAWING # 211220BBC-NSI

**CLIENT:**  
**burn boot camp**  
 315 North Glebe Rd.  
 Arlington, VA 22203

Illuminated Face lit Exposed Neon Letters with backer on raceway



**SIGN DETAIL-Side B**

STORE FRONTAGE = 37'-5"  
 TOTAL SQ.FT. = 24.75 sq.ft.  
 SCALE: 1/2" = 1'-0"



Proposed



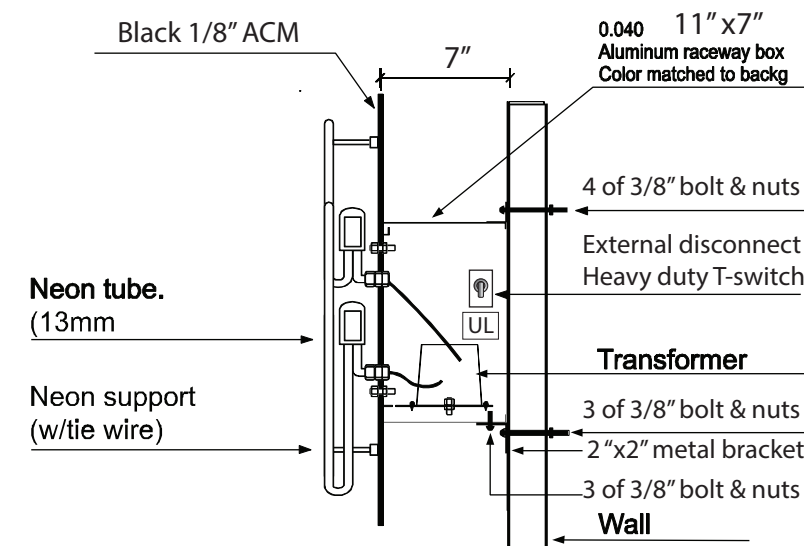
Existing



Store Front: 37.5' / 15'-4" from ground to top of the sign

**SIGN SPECS (materials & mounting details)**

**NEON**



This sign is intended to be installed in accordance with the requirements Article 600 of the National Electrical Code and/or other applicable local c this includes proper grounding and bonding of the sign.

**NOTE: PRINTED COLORS ARE NOT AN EXACT MATCH FOR MATERIAL COLORS**

**Creation Sign LLC**

7364 McWhorter Pl.  
 Annandale, VA 22003  
 703-622-5958

This is an original design submitted by Creation Sign LLC for your personal use. It is not to be shown to anyone outside your firm, nor is it to be used, copied reproduced, or exhibited to anyone. All or any part of this design (except registered trademarks) remain the property of Creation Sign LLC

DRAWING # 211220BBC-NSI

**CLIENT:**

**burn boot camp**  
 315 North Glebe Rd.  
 Arlington, VA 22203