



3508

Examples of new product – Marvin Insert All Wood Windows – actual product will be 1 over 1, no divided light. It will match existing.





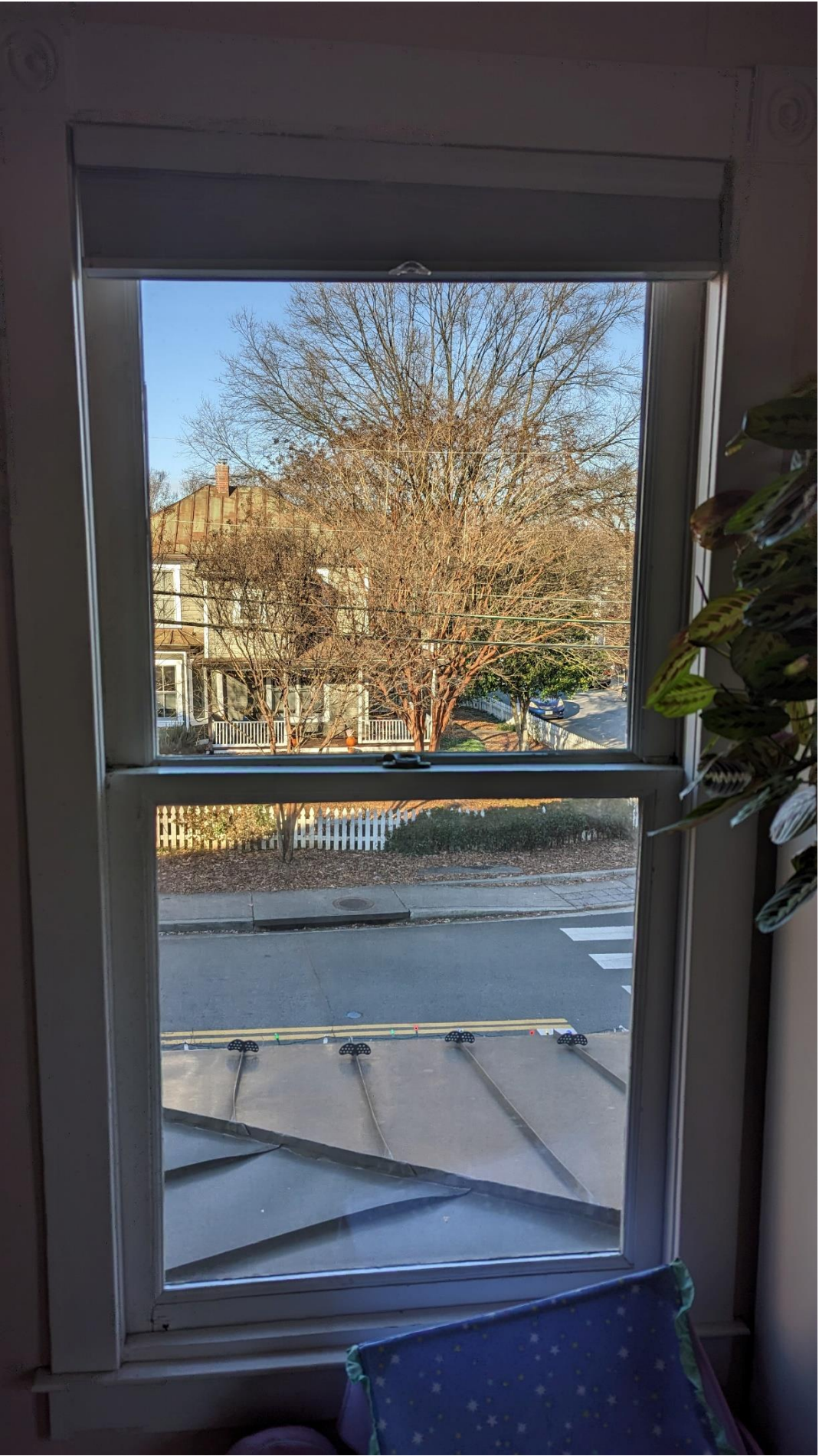
Pictures of existing windows.











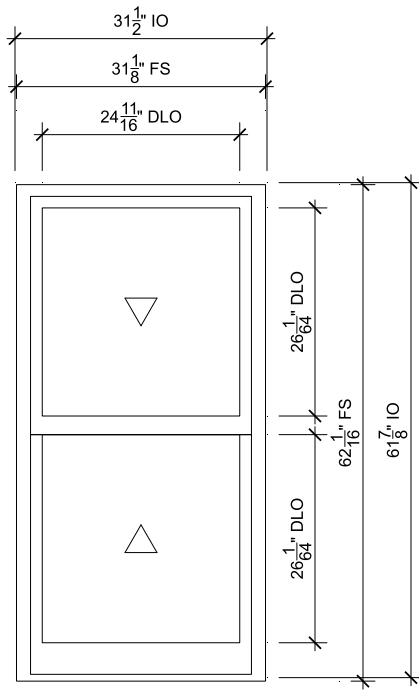












## DINING

SCALE: 1/2" = 1'-0"

## SPECIFICATIONS

Line #: 1  
 Qty: 1  
 Mark Unit: Dining  
 Product Line: Ultimate Wood  
 Unit Description: Double Hung Insert  
 Rough Opening: 31 1/2" X 61 7/8"  
 Frame Size: 31 1/8" X 62 1/16"  
 Masonry Opening: None  
 Sash Opening: 31 1/2" X 61 7/8"  
 Inside Opening: 31 1/2" X 61 7/8"  
 Exterior Finish: Primed  
 Species: Pine  
 Interior Finish: Painted Interior Finish - White  
 Unit Type: Double Hung Insert  
 Call Number: None  
 Glass Information: IG, Low E2 w/Argon, Black  
 Divider Type: None  
 Hardware Type: Sash Lock, Lift Type : None, No Finger Pull  
 Screen Type: Extruded Aluminum Screen  
 Hardware Color: White  
 Screen Surround Color: Stone White  
 Screen Mesh Type: Bright View Mesh  
 Jamb Depth: 4 9/16"  
 Interior Trim: None  
 Exterior Casing: None  
 Subsill: None



PROJ/JOB: James Anderson - Wood Insert / James Anderson - Wood Insert  
 DIST/DEALER: WINDOW & DOOR SHOWPLACE-STERLING  
 DRAWN: THOMAS FALLON  
 QUOTE#: 3X7HD5F

PK VER: 0003.50.01

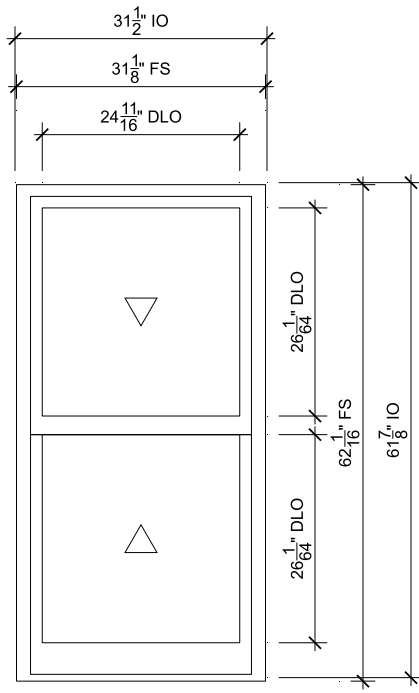
CREATED: 01/12/2023

REVISION:

SHEET

1

OF 10



## DINING

SCALE: 1/2" = 1'-0"

## SPECIFICATIONS

Line #: 2  
 Qty: 1  
 Mark Unit: Dining  
 Product Line: Ultimate Wood  
 Unit Description: Double Hung Insert  
 Rough Opening: 31 1/2" X 61 7/8"  
 Frame Size: 31 1/8" X 62 1/16"  
 Masonry Opening: None  
 Sash Opening: 31 1/2" X 61 7/8"  
 Inside Opening: 31 1/2" X 61 7/8"  
 Exterior Finish: Primed  
 Species: Pine  
 Interior Finish: Painted Interior Finish - White  
 Unit Type: Double Hung Insert  
 Call Number: None  
 Glass Information: IG, Low E2 w/Argon, Black  
 Divider Type: None  
 Hardware Type: Sash Lock, Lift Type : None, No Finger Pull  
 Screen Type: Extruded Aluminum Screen  
 Hardware Color: White  
 Screen Surround Color: Stone White  
 Screen Mesh Type: Bright View Mesh  
 Jamb Depth: 4 9/16"  
 Interior Trim: None  
 Exterior Casing: None  
 Subsill: None



PROJ/JOB: James Anderson - Wood Insert / James Anderson - Wood Insert  
 DIST/DEALER: WINDOW & DOOR SHOWPLACE-STERLING  
 DRAWN: THOMAS FALLON  
 QUOTE#: 3X7HD5F

PK VER: 0003.50.01

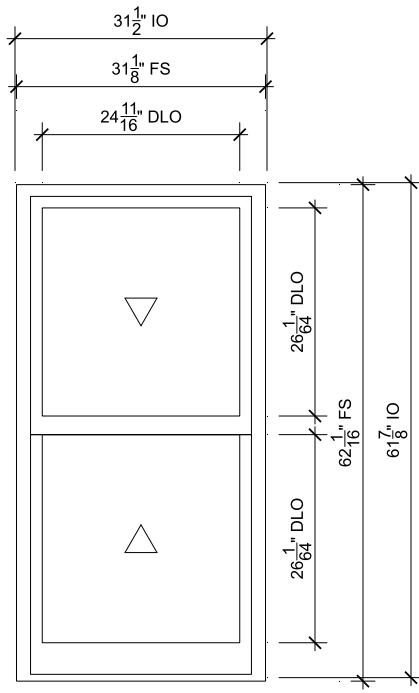
CREATED: 01/12/2023

REVISION:

SHEET

2

OF 10



**KITCHEN SIDE**  
SCALE: 1/2" = 1'-0"

## SPECIFICATIONS

Line #: 3  
 Qty: 1  
 Mark Unit: Kitchen Side  
 Product Line: Ultimate Wood  
 Unit Description: Double Hung Insert  
 Rough Opening: 31 1/2" X 61 7/8"  
 Frame Size: 31 1/8" X 62 1/16"  
 Masonry Opening: None  
 Sash Opening: 31 1/2" X 61 7/8"  
 Inside Opening: 31 1/2" X 61 7/8"  
 Exterior Finish: Primed  
 Species: Pine  
 Interior Finish: Painted Interior Finish - White  
 Unit Type: Double Hung Insert  
 Call Number: None  
 Glass Information: IG, Low E2 w/Argon, Black  
 Divider Type: None  
 Hardware Type: Sash Lock, Lift Type : None, No Finger Pull  
 Screen Type: Extruded Aluminum Screen  
 Hardware Color: White  
 Screen Surround Color: Stone White  
 Screen Mesh Type: Bright View Mesh  
 Jamb Depth: 4 9/16"  
 Interior Trim: None  
 Exterior Casing: None  
 Subsill: None



PROJ/JOB: James Anderson - Wood Insert / James Anderson - Wood Insert  
 DIST/DEALER: WINDOW & DOOR SHOWPLACE-STERLING  
 DRAWN: THOMAS FALLON  
 QUOTE#: 3X7HD5F

PK VER: 0003.50.01

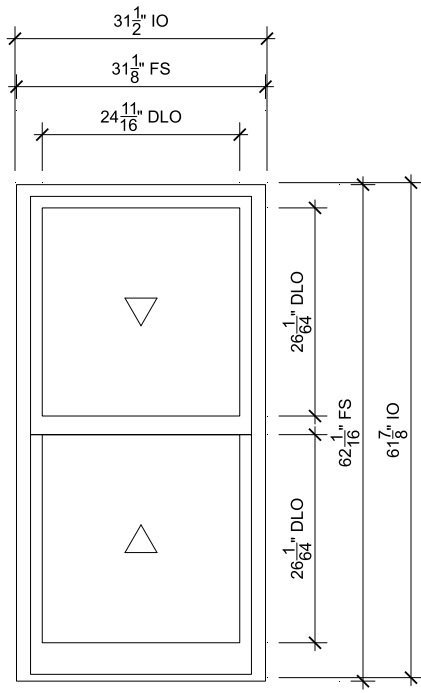
CREATED: 01/12/2023

REVISION:

SHEET

3

OF 10



**FRONT BED**  
SCALE: 1/2" = 1'-0"

## SPECIFICATIONS

Line #: 4  
 Qty: 1  
 Mark Unit: Front Bed  
 Product Line: Ultimate Wood  
 Unit Description: Double Hung Insert  
 Rough Opening: 31 1/2" X 61 7/8"  
 Frame Size: 31 1/8" X 62 1/16"  
 Masonry Opening: None  
 Sash Opening: 31 1/2" X 61 7/8"  
 Inside Opening: 31 1/2" X 61 7/8"  
 Exterior Finish: Primed  
 Species: Pine  
 Interior Finish: Painted Interior Finish - White  
 Unit Type: Double Hung Insert  
 Call Number: None  
 Glass Information: IG, Low E2 w/Argon, Black  
 Divider Type: None  
 Hardware Type: Sash Lock, Lift Type : None, No Finger Pull  
 Screen Type: Extruded Aluminum Screen  
 Hardware Color: White  
 Screen Surround Color: Stone White  
 Screen Mesh Type: Bright View Mesh  
 Jamb Depth: 4 9/16"  
 Interior Trim: None  
 Exterior Casing: None  
 Subsill: None



PROJ/JOB: James Anderson - Wood Insert / James Anderson - Wood Insert  
 DIST/DEALER: WINDOW & DOOR SHOWPLACE-STERLING  
 DRAWN: THOMAS FALLON  
 QUOTE#: 3X7HD5F

PK VER: 0003.50.01

CREATED: 01/12/2023

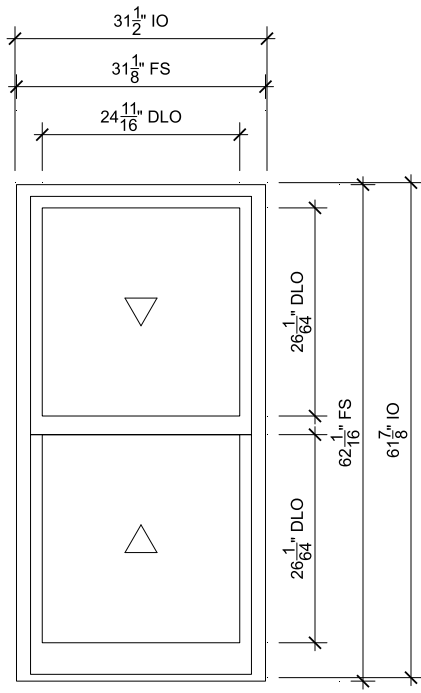
REVISION:

SHEET

4

OF 10





**FRONT BED**  
SCALE: 1/2" = 1'-0"

## SPECIFICATIONS

Line #: 5  
 Qty: 1  
 Mark Unit: Front Bed  
 Product Line: Ultimate Wood  
 Unit Description: Double Hung Insert  
 Rough Opening: 31 1/2" X 61 7/8"  
 Frame Size: 31 1/8" X 62 1/16"  
 Masonry Opening: None  
 Sash Opening: 31 1/2" X 61 7/8"  
 Inside Opening: 31 1/2" X 61 7/8"  
 Exterior Finish: Primed  
 Species: Pine  
 Interior Finish: Painted Interior Finish - White  
 Unit Type: Double Hung Insert  
 Call Number: None  
 Glass Information: IG, Low E2 w/Argon, Black  
 Divider Type: None  
 Hardware Type: Sash Lock, Lift Type : None, No Finger Pull  
 Screen Type: Extruded Aluminum Screen  
 Hardware Color: White  
 Screen Surround Color: Stone White  
 Screen Mesh Type: Bright View Mesh  
 Jamb Depth: 4 9/16"  
 Interior Trim: None  
 Exterior Casing: None  
 Subsill: None



PROJ/JOB: James Anderson - Wood Insert / James Anderson - Wood Insert  
 DIST/DEALER: WINDOW & DOOR SHOWPLACE-STERLING  
 DRAWN: THOMAS FALLON  
 QUOTE#: 3X7HD5F

PK VER: 0003.50.01

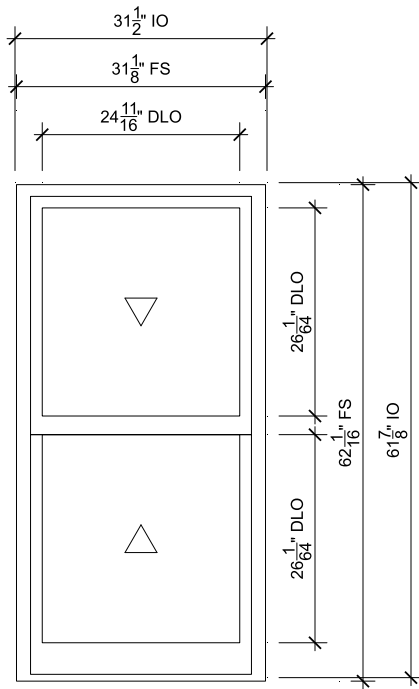
CREATED: 01/12/2023

REVISION:

SHEET

5

OF 10



**FRONT BED SIDE**  
SCALE: 1/2" = 1'-0"

## SPECIFICATIONS

Line #: 6  
 Qty: 1  
 Mark Unit: Front Bed Side  
 Product Line: Ultimate Wood  
 Unit Description: Double Hung Insert  
 Rough Opening: 31 1/2" X 61 7/8"  
 Frame Size: 31 1/8" X 62 1/16"  
 Masonry Opening: None  
 Sash Opening: 31 1/2" X 61 7/8"  
 Inside Opening: 31 1/2" X 61 7/8"  
 Exterior Finish: Primed  
 Species: Pine  
 Interior Finish: Painted Interior Finish - White  
 Unit Type: Double Hung Insert  
 Call Number: None  
 Glass Information: IG, Low E2 w/Argon, Black  
 Divider Type: None  
 Hardware Type: Sash Lock, Lift Type : None, No Finger Pull  
 Screen Type: Extruded Aluminum Screen  
 Hardware Color: White  
 Screen Surround Color: Stone White  
 Screen Mesh Type: Bright View Mesh  
 Jamb Depth: 4 9/16"  
 Interior Trim: None  
 Exterior Casing: None  
 Subsill: None



PROJ/JOB: James Anderson - Wood Insert / James Anderson - Wood Insert  
 DIST/DEALER: WINDOW & DOOR SHOWPLACE-STERLING  
 DRAWN: THOMAS FALLON  
 QUOTE#: 3X7HD5F

PK VER: 0003.50.01

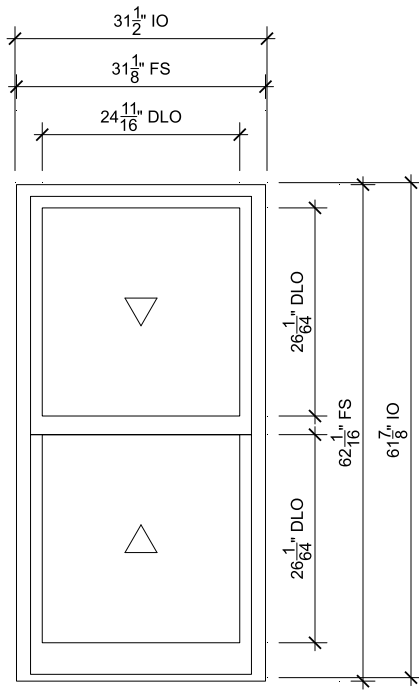
CREATED: 01/12/2023

REVISION:

SHEET

6

OF 10



**SIDE BED**  
SCALE: 1/2" = 1'-0"

## SPECIFICATIONS

Line #: 7  
 Qty: 1  
 Mark Unit: Side Bed  
 Product Line: Ultimate Wood  
 Unit Description: Double Hung Insert  
 Rough Opening: 31 1/2" X 61 7/8"  
 Frame Size: 31 1/8" X 62 1/16"  
 Masonry Opening: None  
 Sash Opening: 31 1/2" X 61 7/8"  
 Inside Opening: 31 1/2" X 61 7/8"  
 Exterior Finish: Primed  
 Species: Pine  
 Interior Finish: Painted Interior Finish - White  
 Unit Type: Double Hung Insert  
 Call Number: None  
 Glass Information: IG, Low E2 w/Argon, Black  
 Divider Type: None  
 Hardware Type: Sash Lock, Lift Type : None, No Finger Pull  
 Screen Type: Extruded Aluminum Screen  
 Hardware Color: White  
 Screen Surround Color: Stone White  
 Screen Mesh Type: Bright View Mesh  
 Jamb Depth: 4 9/16"  
 Interior Trim: None  
 Exterior Casing: None  
 Subsill: None



PROJ/JOB: James Anderson - Wood Insert / James Anderson - Wood Insert  
 DIST/DEALER: WINDOW & DOOR SHOWPLACE-STERLING  
 DRAWN: THOMAS FALLON  
 QUOTE#: 3X7HD5F

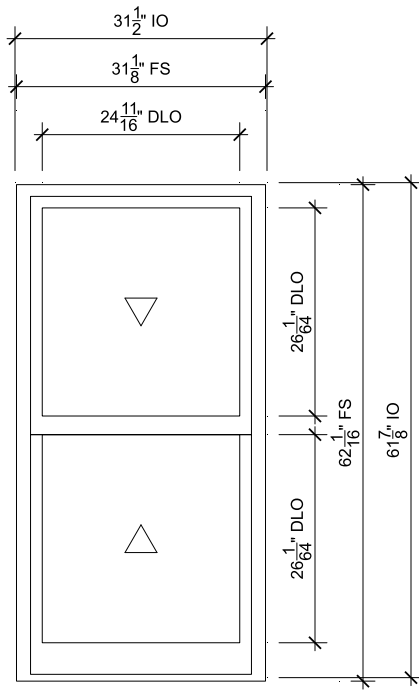
PK VER: 0003.50.01

CREATED: 01/12/2023 REVISION:

SHEET

7

OF 10



**BATHROOM**  
SCALE: 1/2" = 1'-0"

**SPECIFICATIONS**

Line #: 8  
 Qty: 1  
 Mark Unit: Bathroom  
 Product Line: Ultimate Wood  
 Unit Description: Double Hung Insert  
 Rough Opening: 31 1/2" X 61 7/8"  
 Frame Size: 31 1/8" X 62 1/16"  
 Masonry Opening: None  
 Sash Opening: 31 1/2" X 61 7/8"  
 Inside Opening: 31 1/2" X 61 7/8"  
 Exterior Finish: Primed  
 Species: Pine  
 Interior Finish: Painted Interior Finish - White  
 Unit Type: Double Hung Insert  
 Call Number: None  
 Glass Information: IG, Low E2 w/Argon, Black  
 Divider Type: None  
 Hardware Type: Sash Lock, Lift Type : None, No Finger Pull  
 Screen Type: Extruded Aluminum Screen  
 Hardware Color: White  
 Screen Surround Color: Stone White  
 Screen Mesh Type: Bright View Mesh  
 Jamb Depth: 4 9/16"  
 Interior Trim: None  
 Exterior Casing: None  
 Subsill: None



PROJ/JOB: James Anderson - Wood Insert / James Anderson - Wood Insert  
 DIST/DEALER: WINDOW & DOOR SHOWPLACE-STERLING  
 DRAWN: THOMAS FALLON  
 QUOTE#: 3X7HD5F

PK VER: 0003.50.01

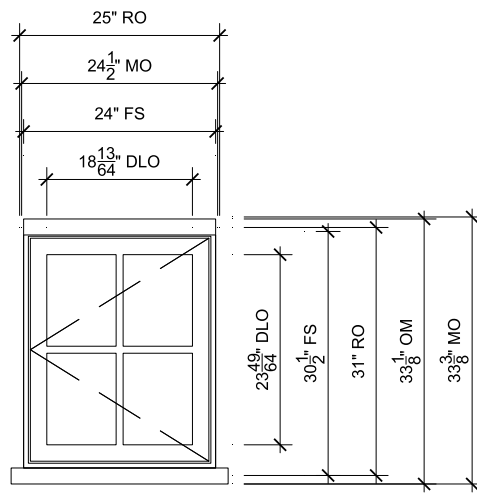
CREATED: 01/12/2023

REVISION:

SHEET

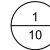
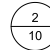
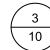
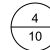
8

OF 10



## FRONT BED SIDE CASEMENT

SCALE: 1/2" = 1'-0"

-  Head
-  Jamb
-  Sill
-  Divided Lite

## SPECIFICATIONS

Line #: 9  
 Qty: 1  
 Mark Unit: Front Bed Side Casement  
 Product Line: Ultimate Wood  
 Unit Description: Casement  
 Rough Opening: 25" X 31"  
 Frame Size: 24" X 30 1/2"  
 Masonry Opening: 24 1/2" X 33 3/8"  
 Sash Opening: 25" X 31"  
 Inside Opening: 25" X 31"  
 Exterior Finish: Primed  
 Species: Pine  
 Interior Finish: Painted Interior Finish - White  
 Unit Type: Casement, Left Hand  
 Call Number: None  
 Glass Information: IG - 3/4", Low E2 w/Argon, Black  
 Divider Type: 7/8" Rectangular SDL W/ Spacer - Black  
 Hardware Type: Folding Handle, No Sash Travel Limiter  
 Screen Type: Aluminum Screen  
 Hardware Color: White  
 Screen Surround Color: White  
 Screen Mesh Type: Bright View Mesh  
 Jamb Depth: Standard Jamb, Custom, 5 1/4"  
 Interior Trim: None  
 Exterior Casing: BMC, Casing Type : None  
 Subsill: Simulated Thick Subsill



PROJ/JOB: James Anderson - Wood Insert / James Anderson - Wood Insert  
 DIST/DEALER: WINDOW & DOOR SHOWPLACE-STERLING  
 DRAWN: THOMAS FALLON  
 QUOTE#: 3X7HD5F

PK VER: 0003.50.01

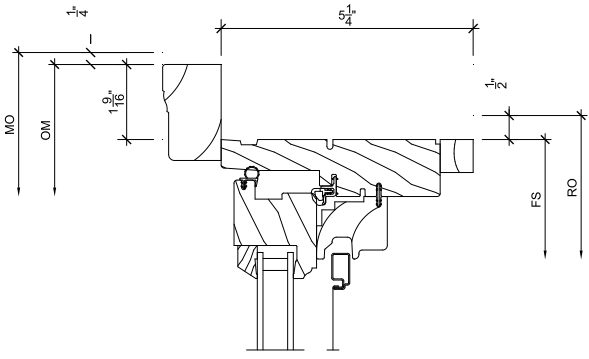
CREATED: 01/12/2023

REVISION:

SHEET

9

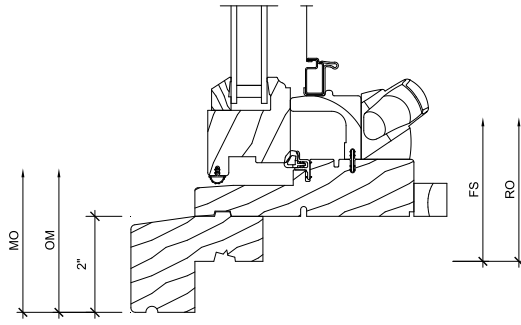
OF 10



1  
10

**Head**

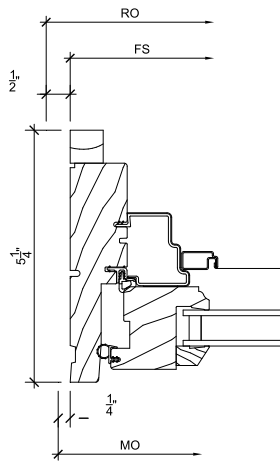
SCALE: 3" = 1'-0"



3  
10

**Sill**

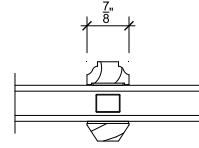
SCALE: 3" = 1'-0"



2  
10

**Jamb**

SCALE: 3" = 1'-0"



4  
10

**Divided Lite**

SCALE: 3" = 1'-0"



PROJ/JOB: James Anderson - Wood Insert / James Anderson - Wood Insert  
 DIST/DEALER: WINDOW & DOOR SHOWPLACE-STERLING  
 DRAWN: THOMAS FALLON  
 QUOTE#: 3X7HD5F PK VER: 0003.50.01 CREATED: 01/12/2023 REVISION:

SHEET  
10  
OF 10