



3508

Examples of new product – Marvin Insert All Wood Windows – actual product will be 1 over 1, no divided light. It will match existing.





Pictures of existing windows.









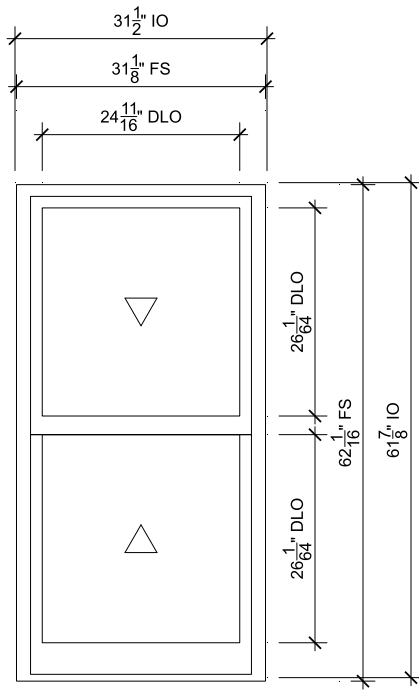












DINING

SCALE: 1/2" = 1'-0"

SPECIFICATIONS

Line #: 1
 Qty: 1
 Mark Unit: Dining
 Product Line: Ultimate Wood
 Unit Description: Double Hung Insert
 Rough Opening: 31 1/2" X 61 7/8"
 Frame Size: 31 1/8" X 62 1/16"
 Masonry Opening: None
 Sash Opening: 31 1/2" X 61 7/8"
 Inside Opening: 31 1/2" X 61 7/8"
 Exterior Finish: Primed
 Species: Pine
 Interior Finish: Painted Interior Finish - White
 Unit Type: Double Hung Insert
 Call Number: None
 Glass Information: IG, Low E2 w/Argon, Black
 Divider Type: None
 Hardware Type: Sash Lock, Lift Type : None, No Finger Pull
 Screen Type: Extruded Aluminum Screen
 Hardware Color: White
 Screen Surround Color: Stone White
 Screen Mesh Type: Bright View Mesh
 Jamb Depth: 4 9/16"
 Interior Trim: None
 Exterior Casing: None
 Subsill: None



PROJ/JOB: James Anderson - Wood Insert / James Anderson - Wood Insert
 DIST/DEALER: WINDOW & DOOR SHOWPLACE-STERLING
 DRAWN: THOMAS FALLON
 QUOTE#: 3X7HD5F

PK VER: 0003.50.01

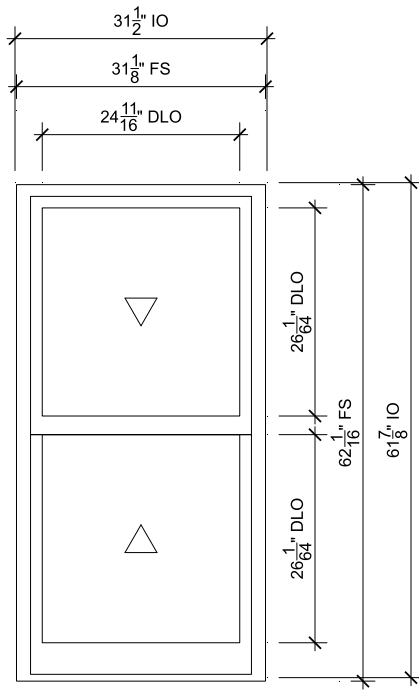
CREATED: 01/12/2023

REVISION:

SHEET

1

OF 10



DINING

SCALE: 1/2" = 1'-0"

SPECIFICATIONS

Line #: 2
 Qty: 1
 Mark Unit: Dining
 Product Line: Ultimate Wood
 Unit Description: Double Hung Insert
 Rough Opening: 31 1/2" X 61 7/8"
 Frame Size: 31 1/8" X 62 1/16"
 Masonry Opening: None
 Sash Opening: 31 1/2" X 61 7/8"
 Inside Opening: 31 1/2" X 61 7/8"
 Exterior Finish: Primed
 Species: Pine
 Interior Finish: Painted Interior Finish - White
 Unit Type: Double Hung Insert
 Call Number: None
 Glass Information: IG, Low E2 w/Argon, Black
 Divider Type: None
 Hardware Type: Sash Lock, Lift Type : None, No Finger Pull
 Screen Type: Extruded Aluminum Screen
 Hardware Color: White
 Screen Surround Color: Stone White
 Screen Mesh Type: Bright View Mesh
 Jamb Depth: 4 9/16"
 Interior Trim: None
 Exterior Casing: None
 Subsill: None



PROJ/JOB: James Anderson - Wood Insert / James Anderson - Wood Insert
 DIST/DEALER: WINDOW & DOOR SHOWPLACE-STERLING
 DRAWN: THOMAS FALLON
 QUOTE#: 3X7HD5F

PK VER: 0003.50.01

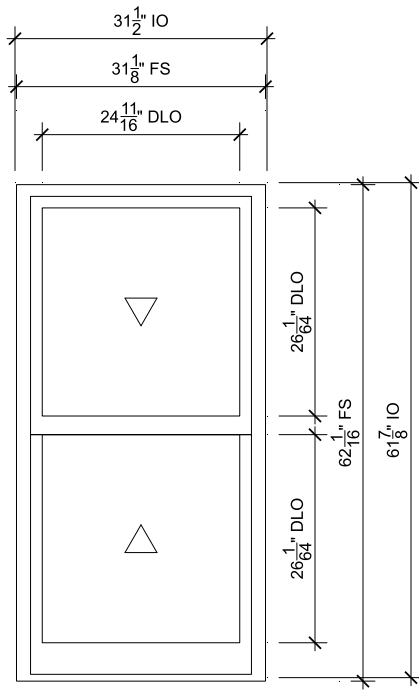
CREATED: 01/12/2023

REVISION:

SHEET

2

OF 10



KITCHEN SIDE
SCALE: 1/2" = 1'-0"

SPECIFICATIONS

Line #: 3
 Qty: 1
 Mark Unit: Kitchen Side
 Product Line: Ultimate Wood
 Unit Description: Double Hung Insert
 Rough Opening: 31 1/2" X 61 7/8"
 Frame Size: 31 1/8" X 62 1/16"
 Masonry Opening: None
 Sash Opening: 31 1/2" X 61 7/8"
 Inside Opening: 31 1/2" X 61 7/8"
 Exterior Finish: Primed
 Species: Pine
 Interior Finish: Painted Interior Finish - White
 Unit Type: Double Hung Insert
 Call Number: None
 Glass Information: IG, Low E2 w/Argon, Black
 Divider Type: None
 Hardware Type: Sash Lock, Lift Type : None, No Finger Pull
 Screen Type: Extruded Aluminum Screen
 Hardware Color: White
 Screen Surround Color: Stone White
 Screen Mesh Type: Bright View Mesh
 Jamb Depth: 4 9/16"
 Interior Trim: None
 Exterior Casing: None
 Subsill: None



PROJ/JOB: James Anderson - Wood Insert / James Anderson - Wood Insert
 DIST/DEALER: WINDOW & DOOR SHOWPLACE-STERLING
 DRAWN: THOMAS FALLON
 QUOTE#: 3X7HD5F

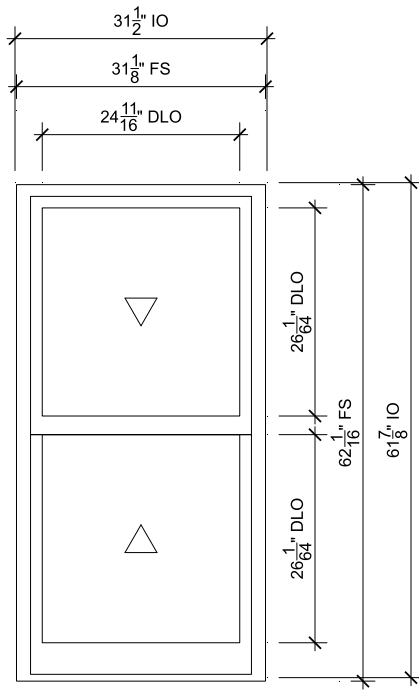
PK VER: 0003.50.01

CREATED: 01/12/2023 REVISION:

SHEET

3

OF 10



FRONT BED
SCALE: 1/2" = 1'-0"

SPECIFICATIONS

Line #: 4
 Qty: 1
 Mark Unit: Front Bed
 Product Line: Ultimate Wood
 Unit Description: Double Hung Insert
 Rough Opening: 31 1/2" X 61 7/8"
 Frame Size: 31 1/8" X 62 1/16"
 Masonry Opening: None
 Sash Opening: 31 1/2" X 61 7/8"
 Inside Opening: 31 1/2" X 61 7/8"
 Exterior Finish: Primed
 Species: Pine
 Interior Finish: Painted Interior Finish - White
 Unit Type: Double Hung Insert
 Call Number: None
 Glass Information: IG, Low E2 w/Argon, Black
 Divider Type: None
 Hardware Type: Sash Lock, Lift Type : None, No Finger Pull
 Screen Type: Extruded Aluminum Screen
 Hardware Color: White
 Screen Surround Color: Stone White
 Screen Mesh Type: Bright View Mesh
 Jamb Depth: 4 9/16"
 Interior Trim: None
 Exterior Casing: None
 Subsill: None



PROJ/JOB: James Anderson - Wood Insert / James Anderson - Wood Insert
 DIST/DEALER: WINDOW & DOOR SHOWPLACE-STERLING
 DRAWN: THOMAS FALLON
 QUOTE#: 3X7HD5F

PK VER: 0003.50.01

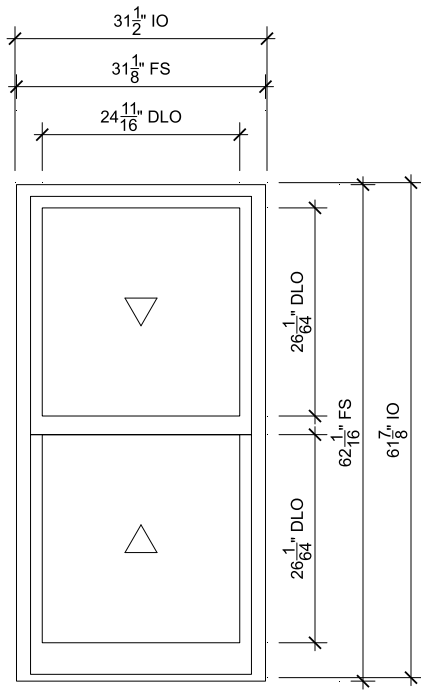
CREATED: 01/12/2023

REVISION:

SHEET

4

OF 10



FRONT BED
SCALE: 1/2" = 1'-0"

SPECIFICATIONS

Line #: 5
 Qty: 1
 Mark Unit: Front Bed
 Product Line: Ultimate Wood
 Unit Description: Double Hung Insert
 Rough Opening: 31 1/2" X 61 7/8"
 Frame Size: 31 1/8" X 62 1/16"
 Masonry Opening: None
 Sash Opening: 31 1/2" X 61 7/8"
 Inside Opening: 31 1/2" X 61 7/8"
 Exterior Finish: Primed
 Species: Pine
 Interior Finish: Painted Interior Finish - White
 Unit Type: Double Hung Insert
 Call Number: None
 Glass Information: IG, Low E2 w/Argon, Black
 Divider Type: None
 Hardware Type: Sash Lock, Lift Type : None, No Finger Pull
 Screen Type: Extruded Aluminum Screen
 Hardware Color: White
 Screen Surround Color: Stone White
 Screen Mesh Type: Bright View Mesh
 Jamb Depth: 4 9/16"
 Interior Trim: None
 Exterior Casing: None
 Subsill: None



PROJ/JOB: James Anderson - Wood Insert / James Anderson - Wood Insert
 DIST/DEALER: WINDOW & DOOR SHOWPLACE-STERLING
 DRAWN: THOMAS FALLON
 QUOTE#: 3X7HD5F

PK VER: 0003.50.01

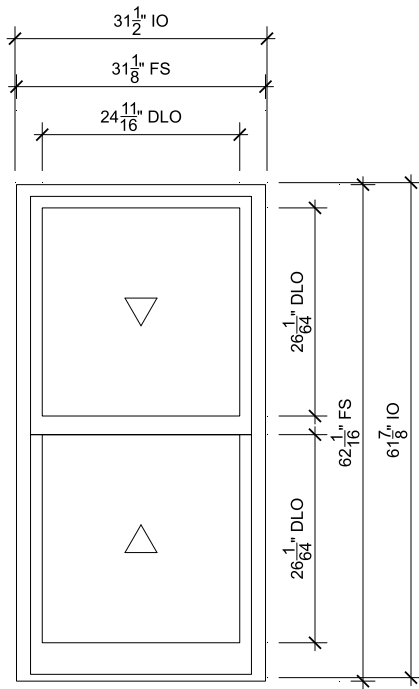
CREATED: 01/12/2023

REVISION:

SHEET

5

OF 10



FRONT BED SIDE
SCALE: 1/2" = 1'-0"

SPECIFICATIONS

Line #: 6
 Qty: 1
 Mark Unit: Front Bed Side
 Product Line: Ultimate Wood
 Unit Description: Double Hung Insert
 Rough Opening: 31 1/2" X 61 7/8"
 Frame Size: 31 1/8" X 62 1/16"
 Masonry Opening: None
 Sash Opening: 31 1/2" X 61 7/8"
 Inside Opening: 31 1/2" X 61 7/8"
 Exterior Finish: Primed
 Species: Pine
 Interior Finish: Painted Interior Finish - White
 Unit Type: Double Hung Insert
 Call Number: None
 Glass Information: IG, Low E2 w/Argon, Black
 Divider Type: None
 Hardware Type: Sash Lock, Lift Type : None, No Finger Pull
 Screen Type: Extruded Aluminum Screen
 Hardware Color: White
 Screen Surround Color: Stone White
 Screen Mesh Type: Bright View Mesh
 Jamb Depth: 4 9/16"
 Interior Trim: None
 Exterior Casing: None
 Subsill: None



PROJ/JOB: James Anderson - Wood Insert / James Anderson - Wood Insert
 DIST/DEALER: WINDOW & DOOR SHOWPLACE-STERLING
 DRAWN: THOMAS FALLON
 QUOTE#: 3X7HD5F

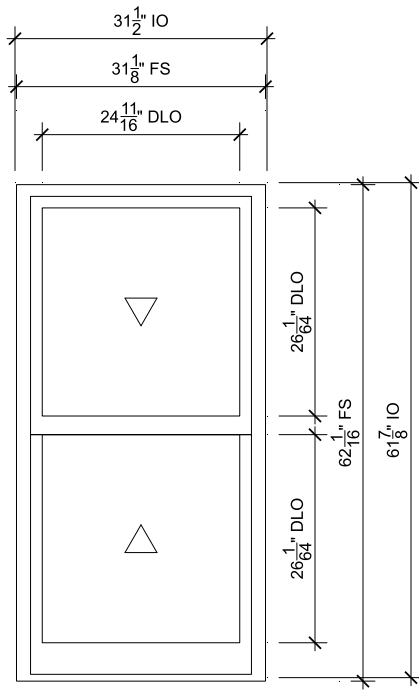
PK VER: 0003.50.01

CREATED: 01/12/2023 REVISION:

SHEET

6

OF 10



SIDE BED
SCALE: 1/2" = 1'-0"

SPECIFICATIONS

Line #: 7
 Qty: 1
 Mark Unit: Side Bed
 Product Line: Ultimate Wood
 Unit Description: Double Hung Insert
 Rough Opening: 31 1/2" X 61 7/8"
 Frame Size: 31 1/8" X 62 1/16"
 Masonry Opening: None
 Sash Opening: 31 1/2" X 61 7/8"
 Inside Opening: 31 1/2" X 61 7/8"
 Exterior Finish: Primed
 Species: Pine
 Interior Finish: Painted Interior Finish - White
 Unit Type: Double Hung Insert
 Call Number: None
 Glass Information: IG, Low E2 w/Argon, Black
 Divider Type: None
 Hardware Type: Sash Lock, Lift Type : None, No Finger Pull
 Screen Type: Extruded Aluminum Screen
 Hardware Color: White
 Screen Surround Color: Stone White
 Screen Mesh Type: Bright View Mesh
 Jamb Depth: 4 9/16"
 Interior Trim: None
 Exterior Casing: None
 Subsill: None



PROJ/JOB: James Anderson - Wood Insert / James Anderson - Wood Insert
 DIST/DEALER: WINDOW & DOOR SHOWPLACE-STERLING
 DRAWN: THOMAS FALLON
 QUOTE#: 3X7HD5F

PK VER: 0003.50.01

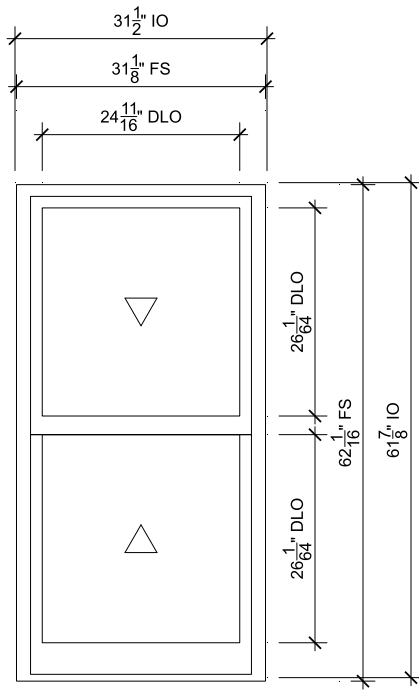
CREATED: 01/12/2023

REVISION:

SHEET

7

OF 10



BATHROOM
SCALE: 1/2" = 1'-0"

SPECIFICATIONS

- Line #: 8
 Qty: 1
 Mark Unit: Bathroom
 Product Line: Ultimate Wood
 Unit Description: Double Hung Insert
 Rough Opening: 31 1/2" X 61 7/8"
 Frame Size: 31 1/8" X 62 1/16"
 Masonry Opening: None
 Sash Opening: 31 1/2" X 61 7/8"
 Inside Opening: 31 1/2" X 61 7/8"
 Exterior Finish: Primed
 Species: Pine
 Interior Finish: Painted Interior Finish - White
 Unit Type: Double Hung Insert
 Call Number: None
 Glass Information: IG, Low E2 w/Argon, Black
 Divider Type: None
 Hardware Type: Sash Lock, Lift Type : None, No Finger Pull
 Screen Type: Extruded Aluminum Screen
 Hardware Color: White
 Screen Surround Color: Stone White
 Screen Mesh Type: Bright View Mesh
 Jamb Depth: 4 9/16"
 Interior Trim: None
 Exterior Casing: None
 Subsill: None



PROJ/JOB: James Anderson - Wood Insert / James Anderson - Wood Insert
 DIST/DEALER: WINDOW & DOOR SHOWPLACE-STERLING
 DRAWN: THOMAS FALLON
 QUOTE#: 3X7HD5F

PK VER: 0003.50.01

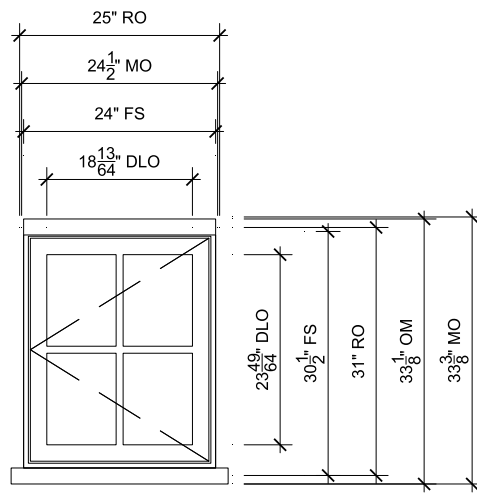
CREATED: 01/12/2023

REVISION:

SHEET

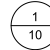
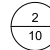
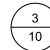
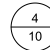
8

OF 10



FRONT BED SIDE CASEMENT

SCALE: 1/2" = 1'-0"

-  Head
-  Jamb
-  Sill
-  Divided Lite

SPECIFICATIONS

Line #: 9
 Qty: 1
 Mark Unit: Front Bed Side Casement
 Product Line: Ultimate Wood
 Unit Description: Casement
 Rough Opening: 25" X 31"
 Frame Size: 24" X 30 1/2"
 Masonry Opening: 24 1/2" X 33 3/8"
 Sash Opening: 25" X 31"
 Inside Opening: 25" X 31"
 Exterior Finish: Primed
 Species: Pine
 Interior Finish: Painted Interior Finish - White
 Unit Type: Casement, Left Hand
 Call Number: None
 Glass Information: IG - 3/4", Low E2 w/Argon, Black
 Divider Type: 7/8" Rectangular SDL W/ Spacer - Black
 Hardware Type: Folding Handle, No Sash Travel Limiter
 Screen Type: Aluminum Screen
 Hardware Color: White
 Screen Surround Color: White
 Screen Mesh Type: Bright View Mesh
 Jamb Depth: Standard Jamb, Custom, 5 1/4"
 Interior Trim: None
 Exterior Casing: BMC, Casing Type : None
 Subsill: Simulated Thick Subsill



PROJ/JOB: James Anderson - Wood Insert / James Anderson - Wood Insert
 DIST/DEALER: WINDOW & DOOR SHOWPLACE-STERLING
 DRAWN: THOMAS FALLON
 QUOTE#: 3X7HD5F

PK VER: 0003.50.01

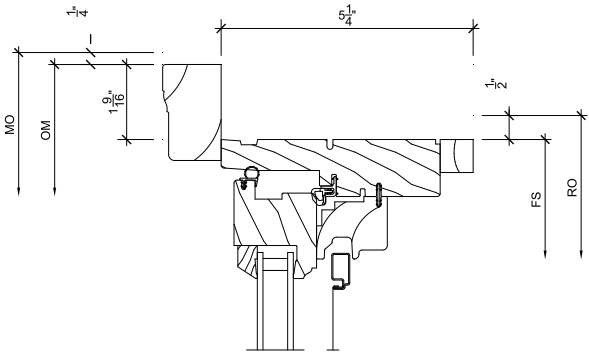
CREATED: 01/12/2023

REVISION:

SHEET

9

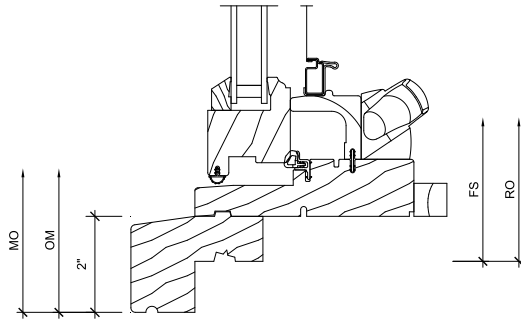
OF 10



1
10

Head

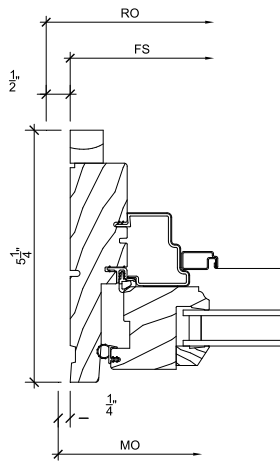
SCALE: 3" = 1'-0"



3
10

Sill

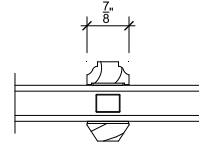
SCALE: 3" = 1'-0"



2
10

Jamb

SCALE: 3" = 1'-0"



4
10

Divided Lite

SCALE: 3" = 1'-0"



PROJ/JOB: James Anderson - Wood Insert / James Anderson - Wood Insert
 DIST/DEALER: WINDOW & DOOR SHOWPLACE-STERLING
 DRAWN: THOMAS FALLON
 QUOTE#: 3X7HD5F PK VER: 0003.50.01 CREATED: 01/12/2023 REVISION:

SHEET
10
OF 10