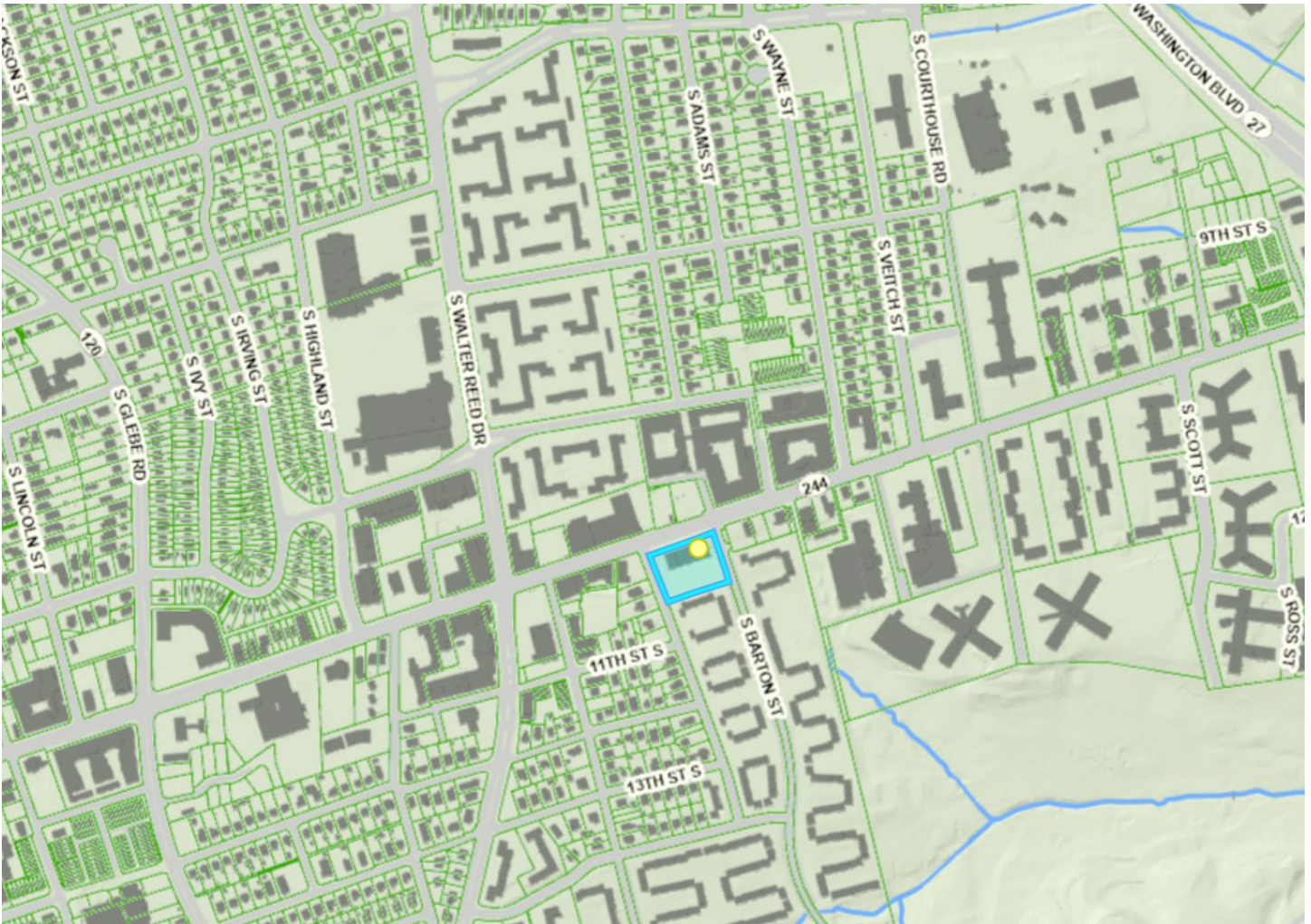


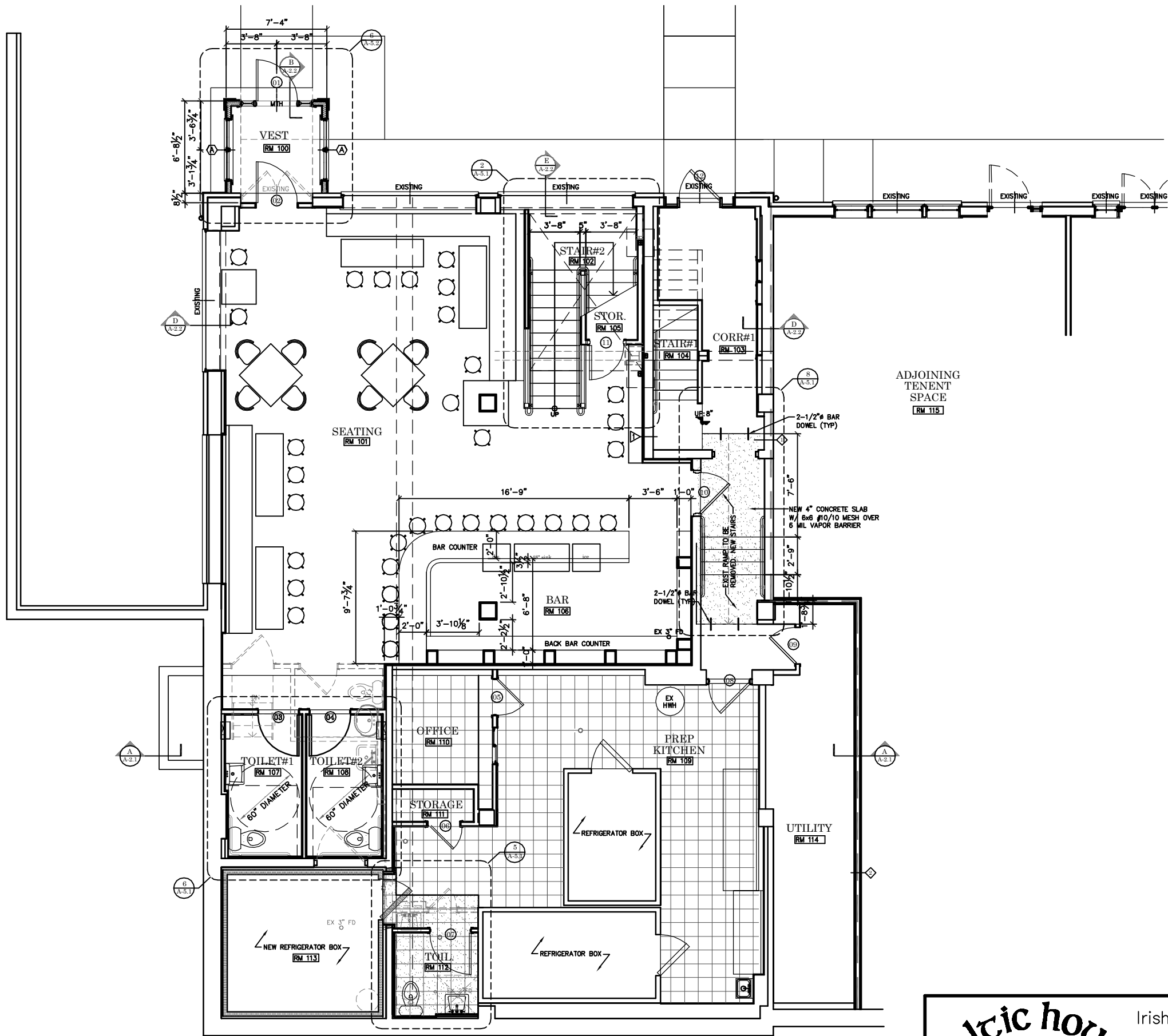
# Historical Affairs and Landmark Review Board

Arlington County, Virginia



**HALRB Meeting June 21, 2023, CoA23-12**

**2500 Columbia Pike:** A request to install vestibule for new restaurant in rear of shopping center.



**GROUND FLOOR PLAN**

1/8"=1'-0"

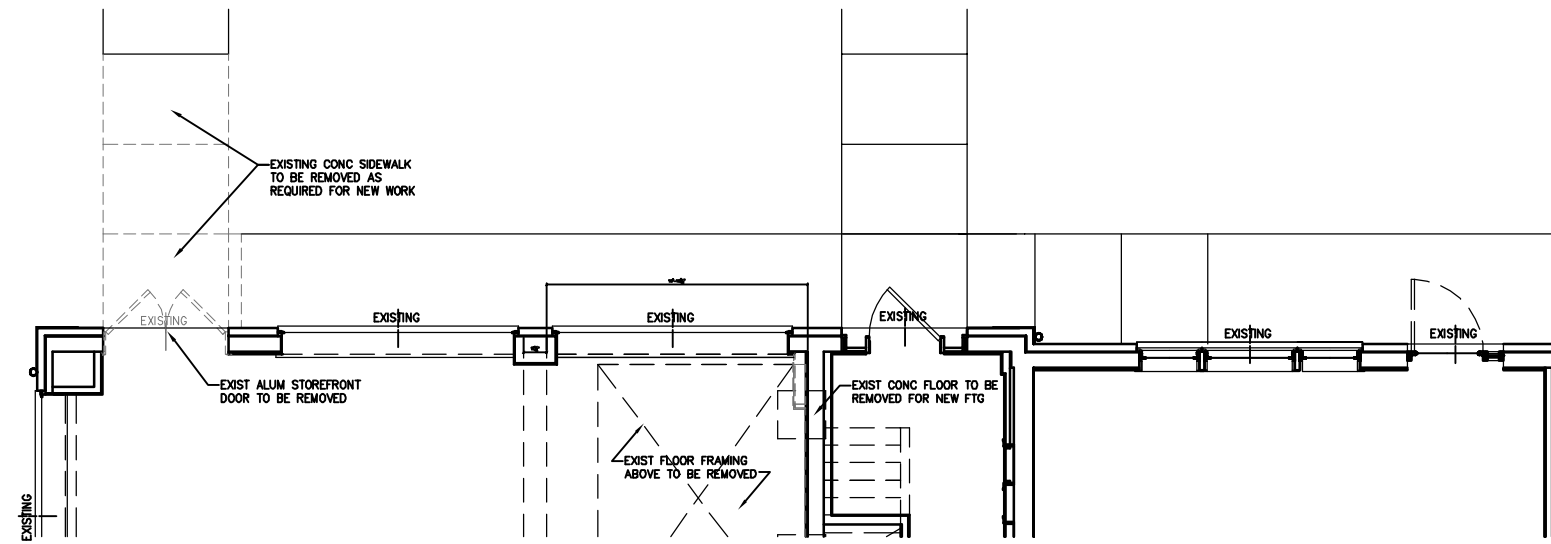
**A-1**



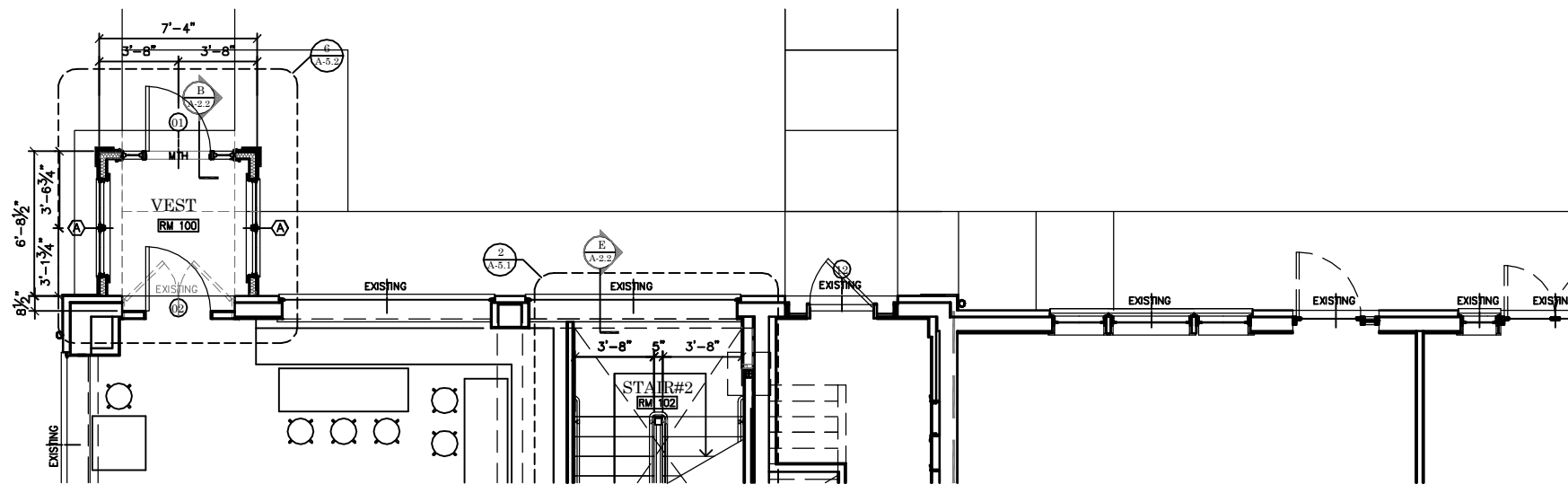
Irish Pub - Restaurant  
& Whiskey Bar  
2500 Columbia Pike  
Arlington, VA 22204

**KJD ARCHITECTS, LLC**

4904 AURORA DRIVE KENSINGTON, MARYLAND 20895  
(W) 301-933-1511 KJDARCH@AOL.COM  
KEVIN J. DRISCOLL, A.I.A.



○ **GROUND FLOOR EXISTING**  
1/8"=1'-0"



○ **GROUND FLOOR PROPOSED**  
1/8"=1'-0"

A-2

**Celtic house**  
Irish Pub - Restaurant  
& Whiskey Bar  
2500 Columbia Pike  
Arlington, VA 22204

**KJD ARCHITECTS, LLC**  
4904 AURORA DRIVE KENSINGTON, MARYLAND 20895  
(W) 301-933-1511 KJDARCH@AOL.COM  
KEVIN J. DRISCOLL, A.I.A.



**REAR ELEVATION - EXIISTING**  
 1/8"=1'-0"

A-3a

 <p><b>Celtic house</b></p>	<p>Irish Pub –Restaurant &amp; Whiskey Bar 2500 Columbia Pike Arlington, VA 22204</p>	<p><b>KJD ARCHITECTS, LLC</b>          4904 AURORA DRIVE KENSINGTON, MARYLAND 20895          (W) 301-933-1511 KJDARCH@AOL.COM          KEVIN J. DRISCOLL, A.I.A.</p>
--	---	--

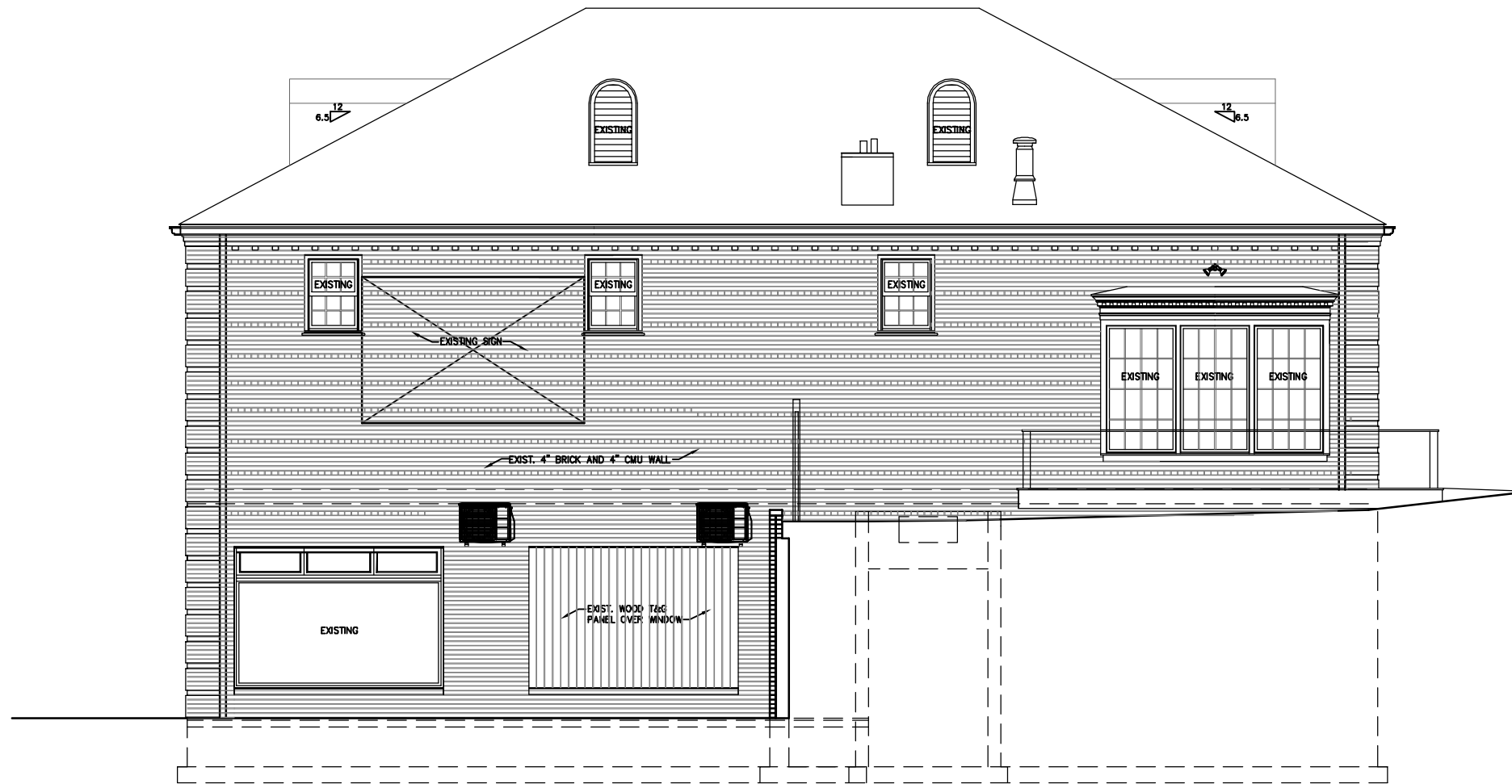




REAR ELEVATION - PROPOSED  
 1/8"=1'-0"

A-3b

<p><b>Celtic house</b></p>	<p>Irish Pub -Restaurant        &amp; Whiskey Bar        2500 Columbia Pike        Arlington, VA 22204</p>	<p><b>KJD ARCHITECTS, LLC</b>        4904 AURORA DRIVE KENSINGTON, MARYLAND 20895        (W) 301-933-1511 KJDARCH@AOL.COM        KEVIN J. DRISCOLL, A.I.A.</p>
----------------------------	--	--



**LEFT SIDE ELEV - EXISTING**  
 1/8"=1'-0"

A-4a



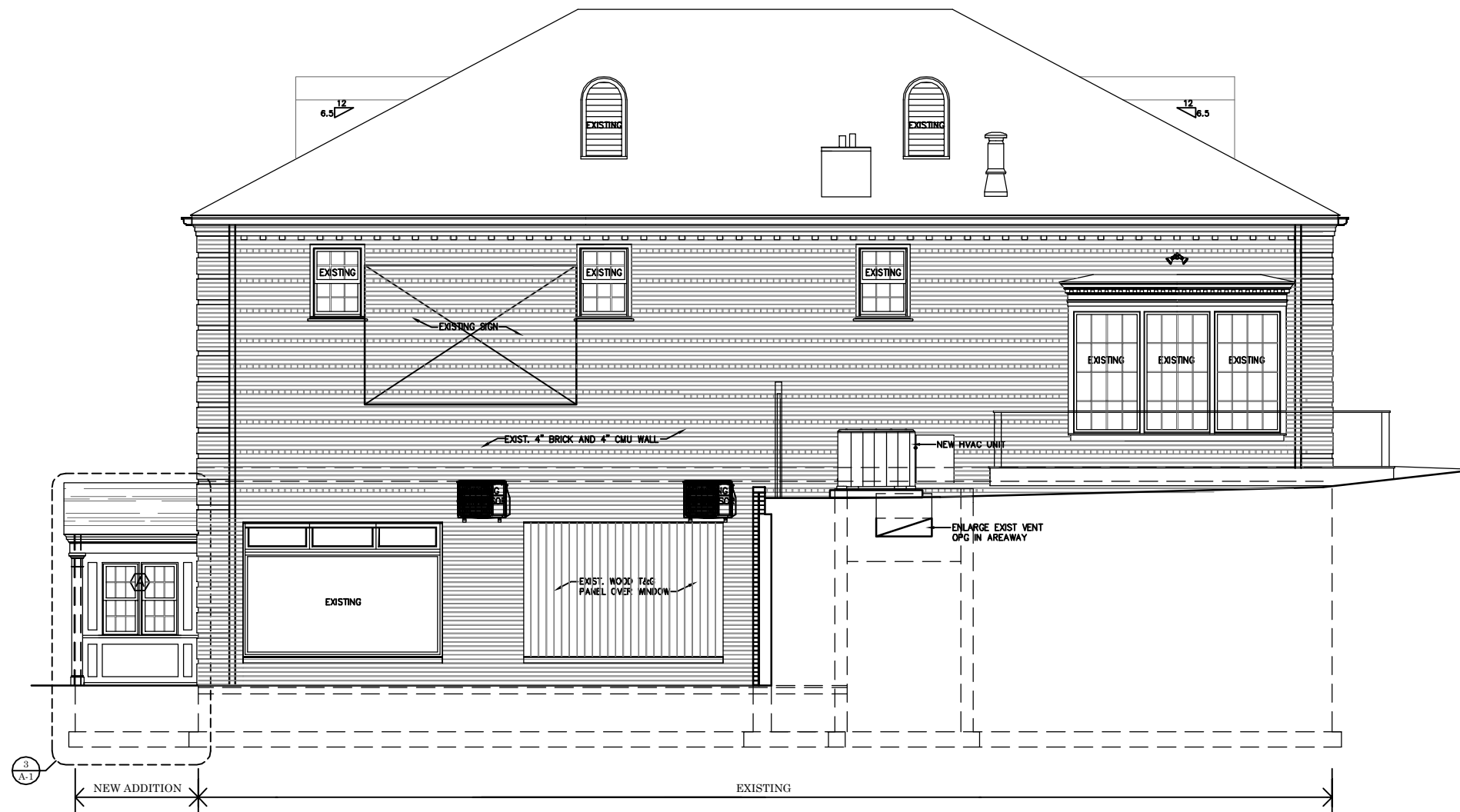
Irish Pub - Restaurant  
 & Whiskey Bar  
 2500 Columbia Pike  
 Arlington, VA 22204

**KJD ARCHITECTS, LLC**

4904 AURORA DRIVE KENSINGTON, MARYLAND 20895

(W) 301-933-1511 KJDARCH@AOL.COM

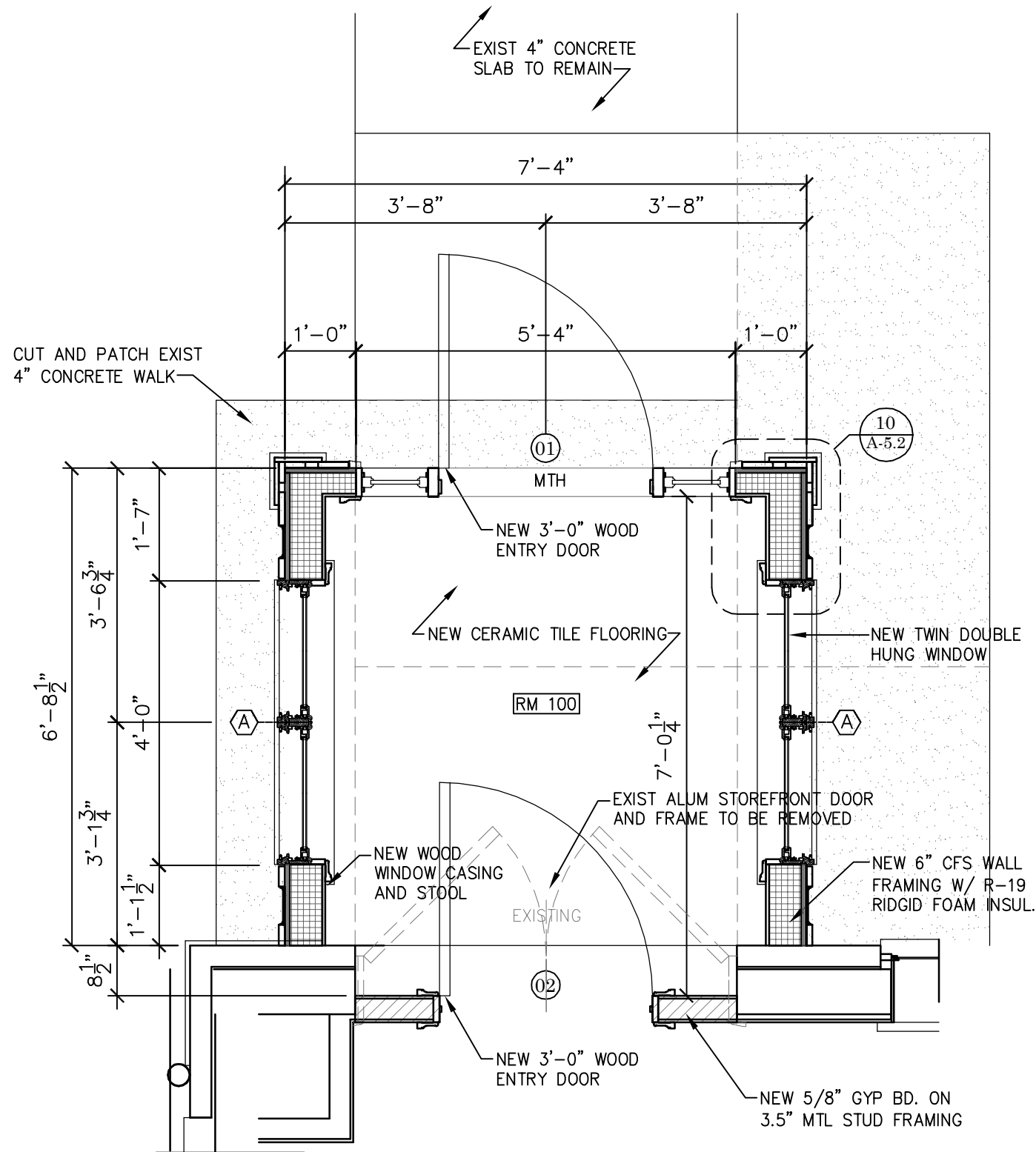
KEVIN J. DRISCOLL, A.I.A.



**LEFT SIDE ELEV - PROPOSED**  
 1/8"=1'-0"

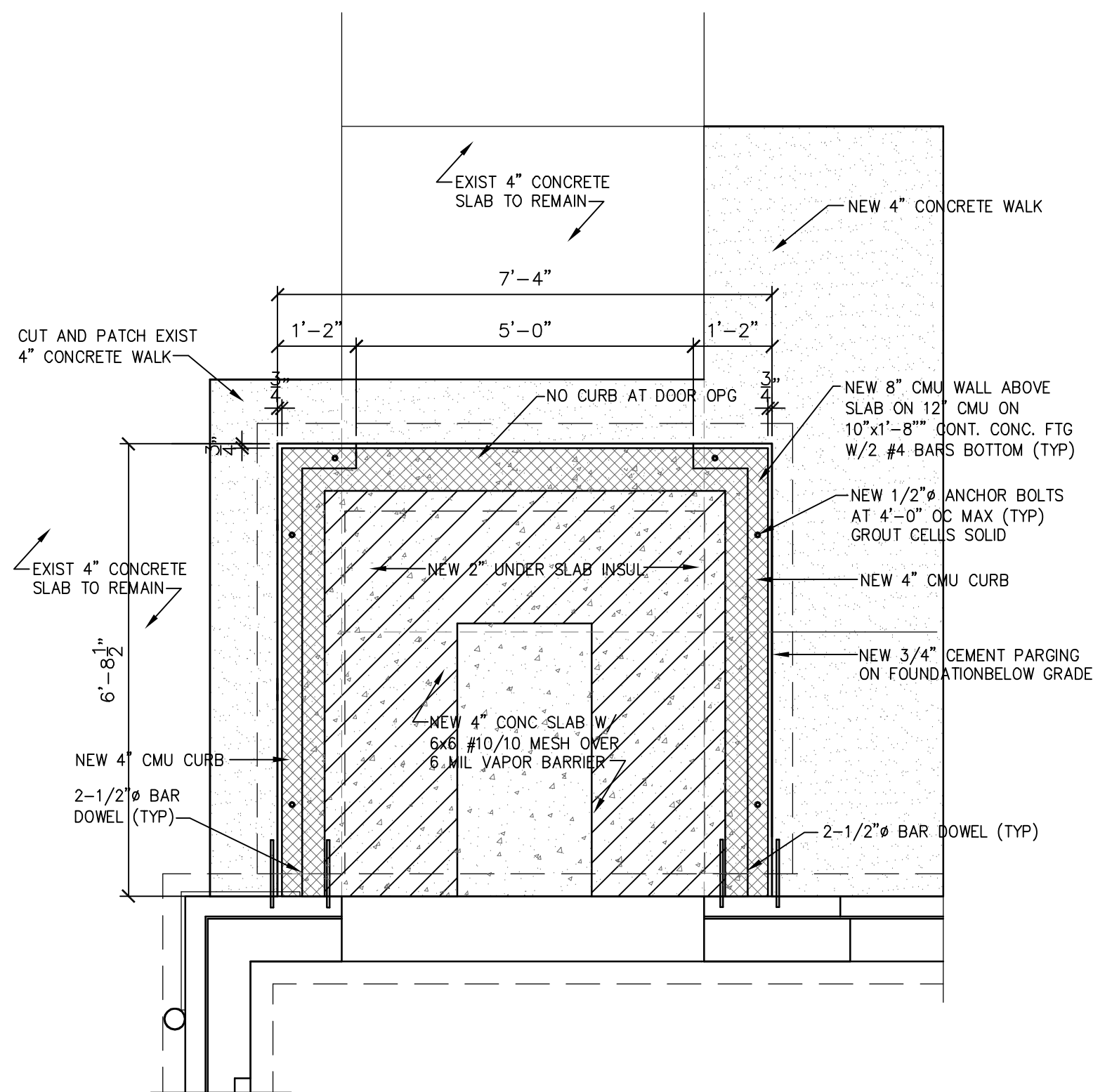
A-4b

	Irish Pub - Restaurant & Whiskey Bar 2500 Columbia Pike Arlington, VA 22204	<b>KJD ARCHITECTS, LLC</b> 4904 AURORA DRIVE KENSINGTON, MARYLAND 20895 (W) 301-933-1511 KJDARCH@AOL.COM KEVIN J. DRISCOLL, A.I.A.
---	--	---



**6 VESTABULE FLOOR PLAN**

1/2"=1'-0"



**5 VESTABULE FOUNDATION PLAN**

1/2"=1'-0"

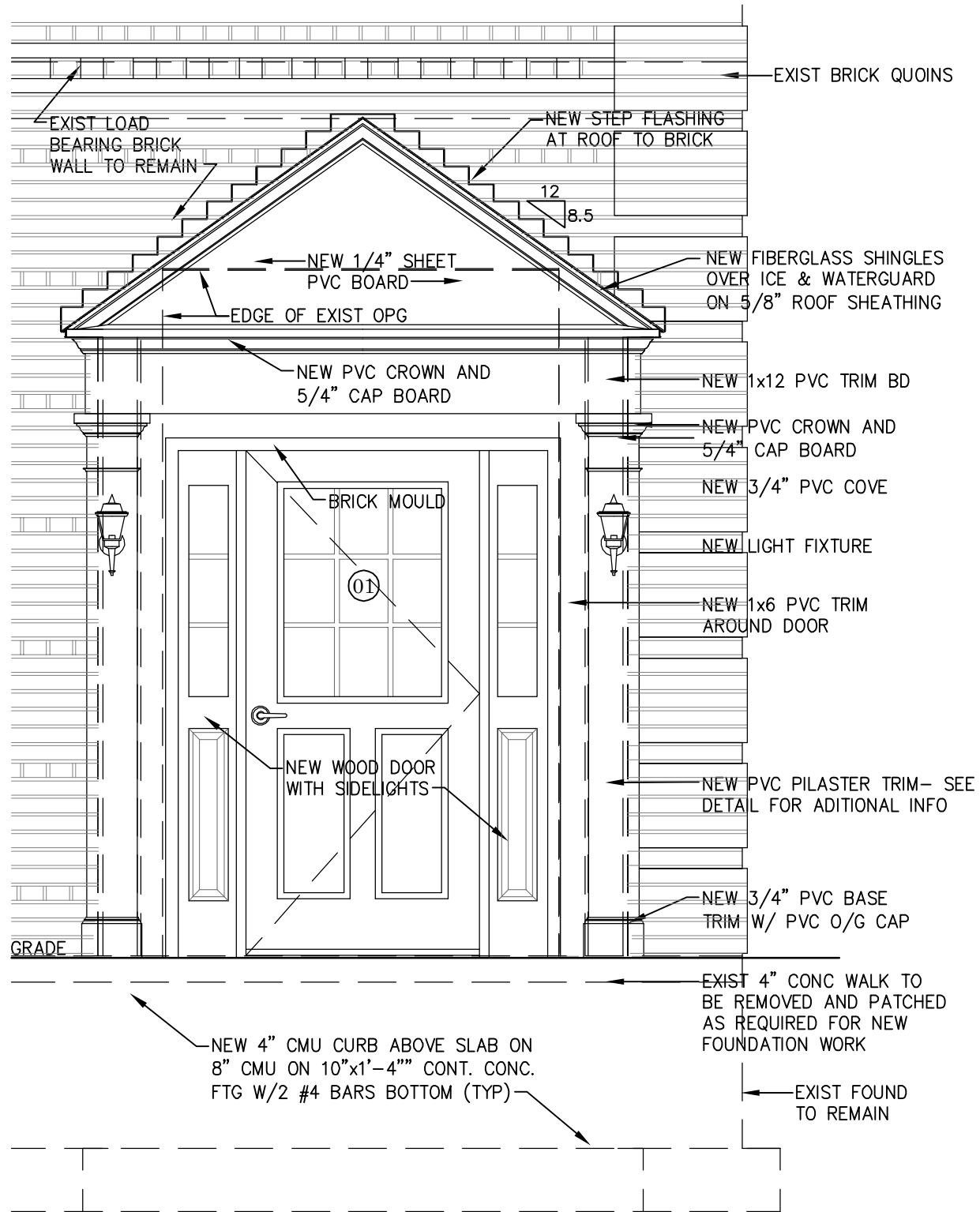
**A-5**



Irish Pub - Restaurant  
& Whiskey Bar  
2500 Columbia Pike  
Arlington, VA 22204

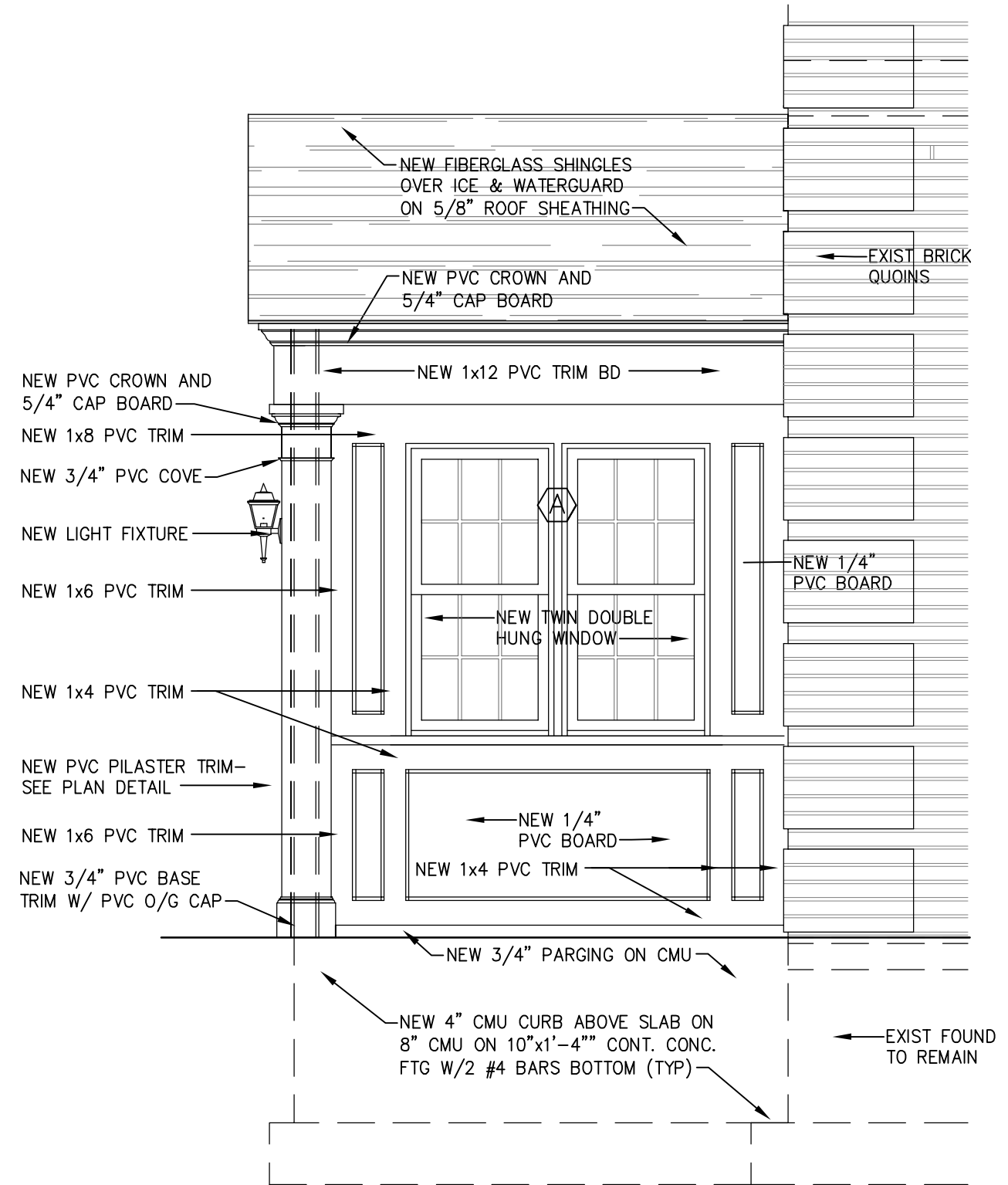
**KJD ARCHITECTS, LLC**

4904 AURORA DRIVE KENSINGTON, MARYLAND 20895  
(W) 301-933-1511 KJDARCH@AOL.COM  
KEVIN J. DRISCOLL, A.I.A.



1 VESTABULE FRONT ELEV


1/2"=1'-0"



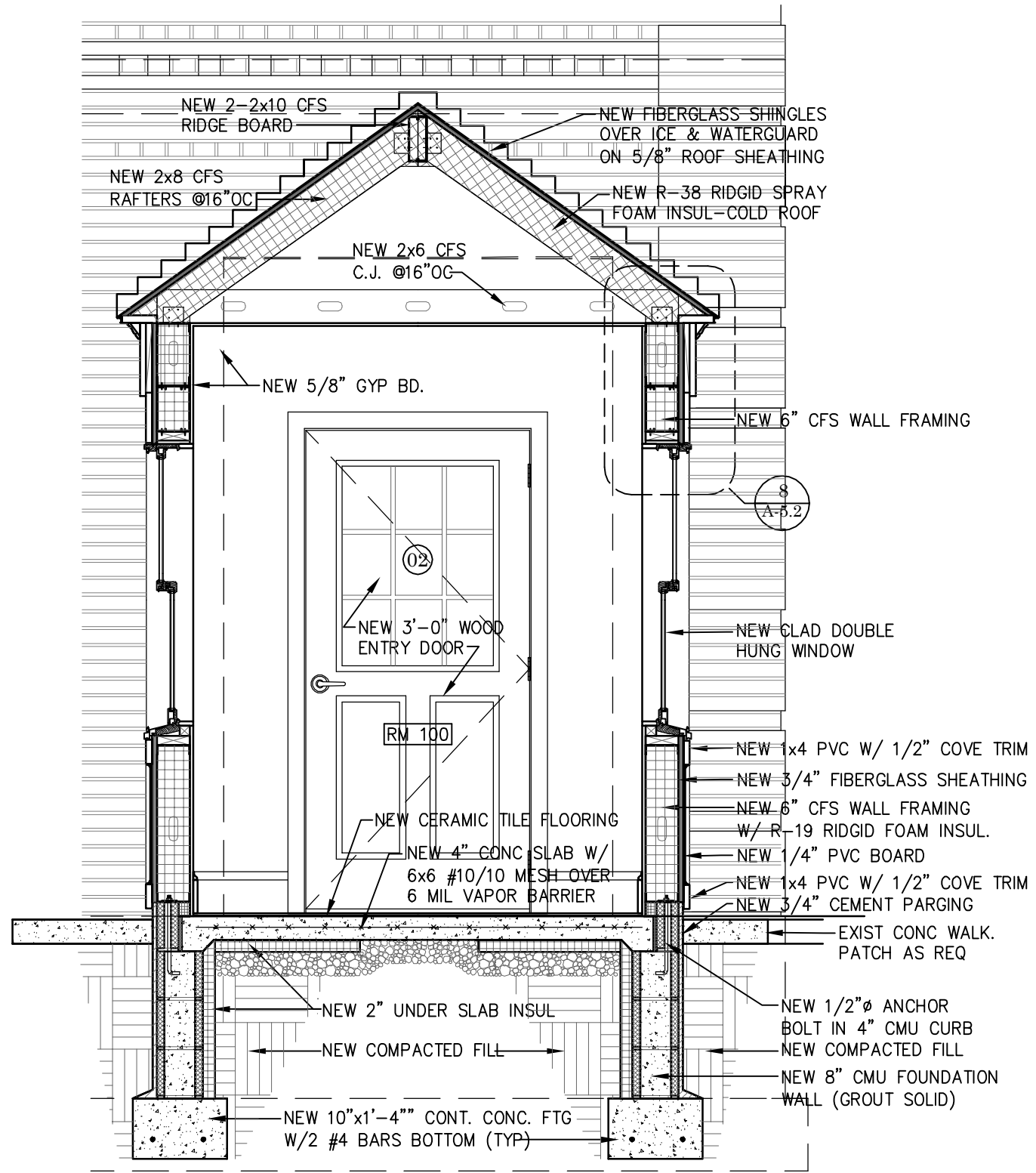
2 VESTABULE SIDE ELEV

1/2"=1'-0"

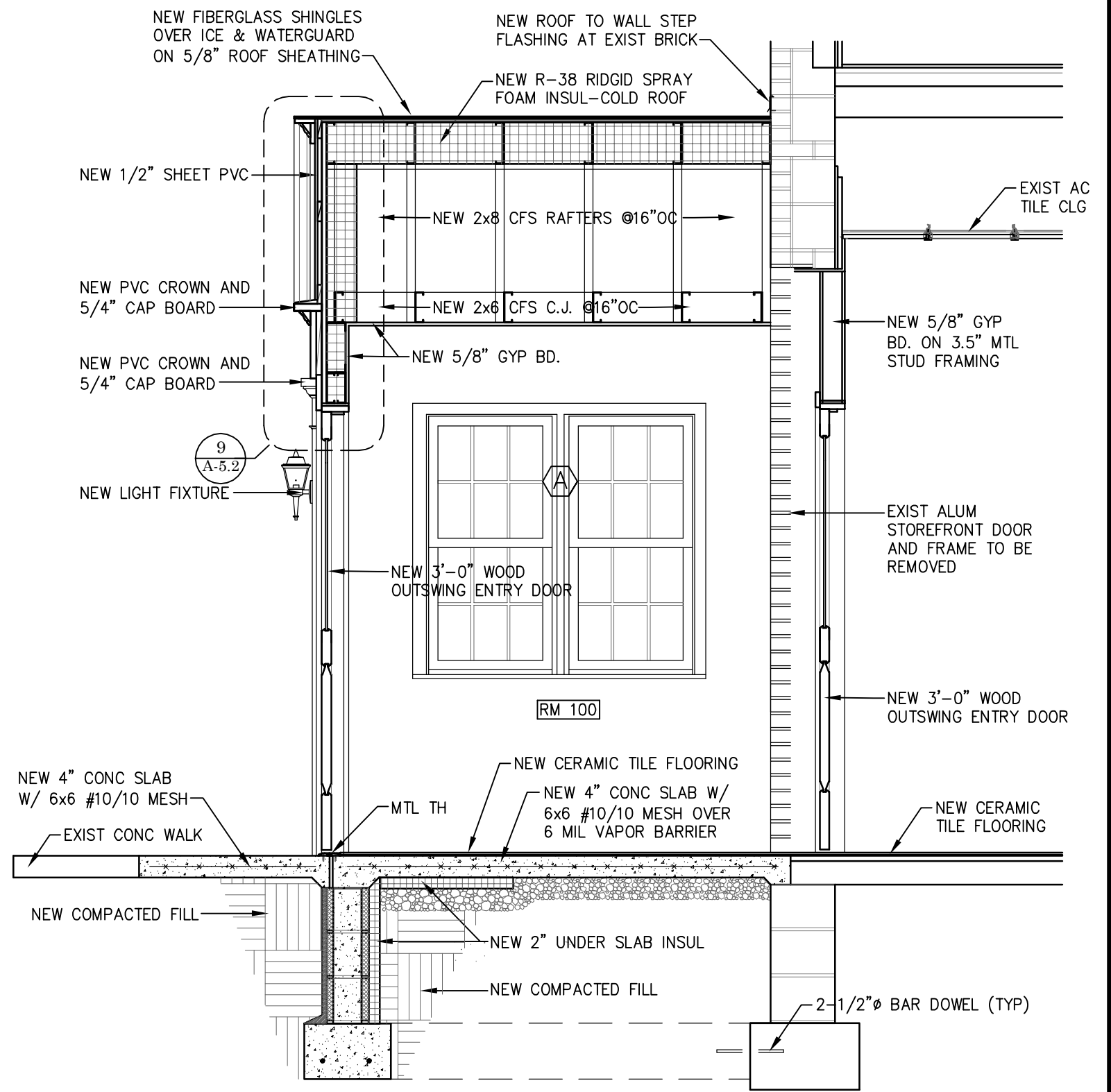
A-6

	Irish Pub - Restaurant & Whiskey Bar	<b>KJD ARCHITECTS, LLC</b> 4904 AURORA DRIVE KENSINGTON, MARYLAND 20895 (W) 301-933-1511 KJDARCH@AOL.COM KEVIN J. DRISCOLL, A.I.A.
	2500 Columbia Pike Arlington, VA 22204	





4 VESTABULE SECTION B-B' 1/2"=1'-0"



3 VESTABULE SECTION A-A' 1/2"=1'-0" A-7



Irish Pub - Restaurant  
& Whiskey Bar  
2500 Columbia Pike  
Arlington, VA 22204

**KJD ARCHITECTS, LLC**  
4904 AURORA DRIVE KENSINGTON, MARYLAND 20895  
(W) 301-933-1511 KJDARCH@AOL.COM  
KEVIN J. DRISCOLL, A.I.A.



Shopping Center - Rear elevation - View at other end of building



Shopping Center - Rear elevation - View of area of proposed work



2597 Columbia Pike

Arlington, Virginia

Google Street View

Dec 2022

See more dates



Shopping Center - Rear elevation - View of front of building

Google Maps 1010 S Barton St

Arlington, Virginia

Google Street View

Oct 2022

See more dates



Shopping Center - Rear elevation - View of area of proposed work as seen from side street





Celtic House Columbia Pike Front elevation - Entry Detail



Celtic House Rear Elevation at area of proposed work





Celtic House Side Street elevation



Celtic House Rear Elevation corner detail at area of proposed work





Celtic House Rear elevation of shopping center - adjoining units



Celtic House interior of space at area of proposed work