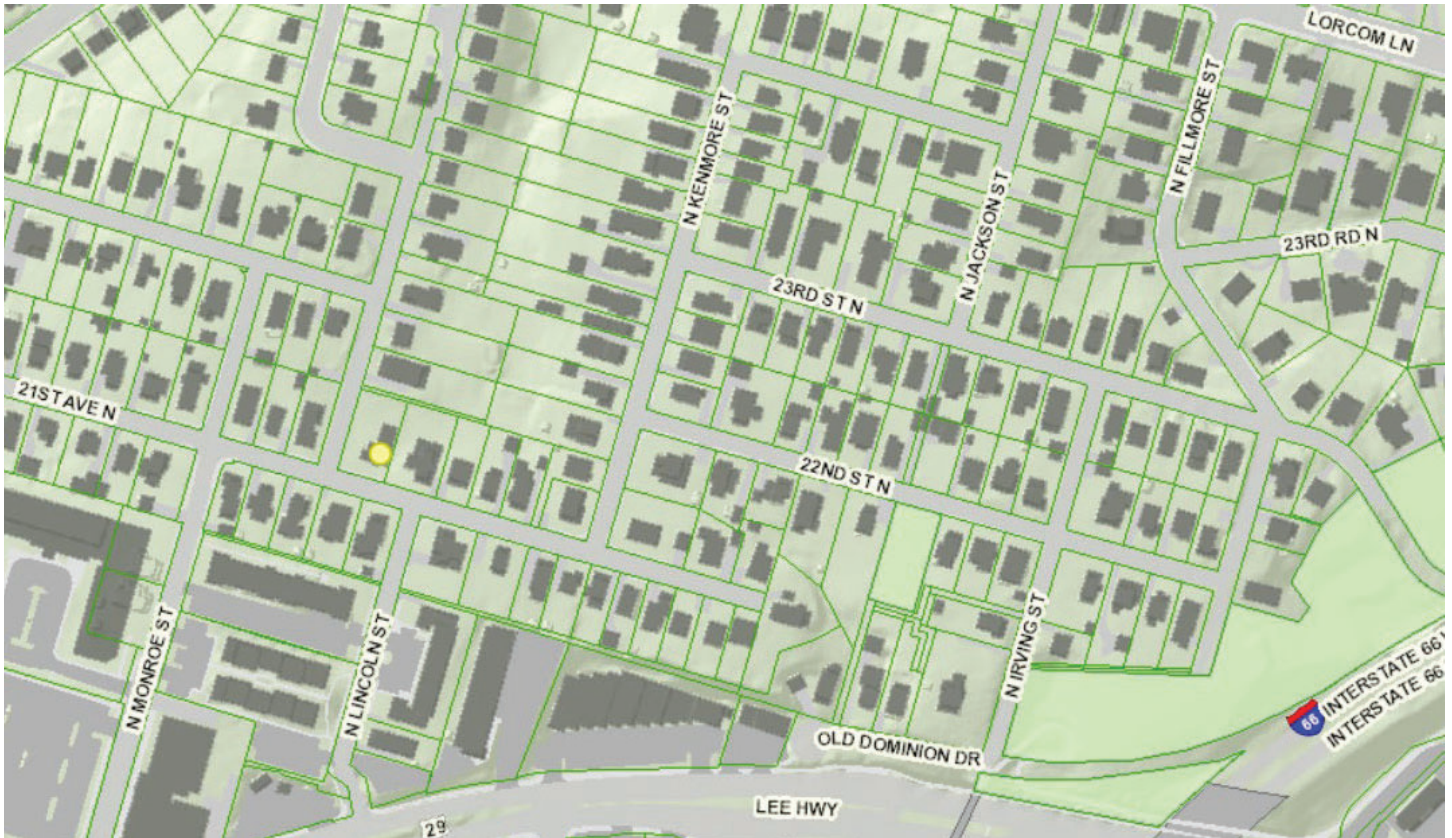


Historical Affairs and Landmark Review Board

Arlington County, Virginia



HALRB Meeting July 19, 2023, CoA 23-18

3421 21st Avenue North: Request to replace fixed louvered shutters with operable raised panel shutters.





3421





The WEXFORD

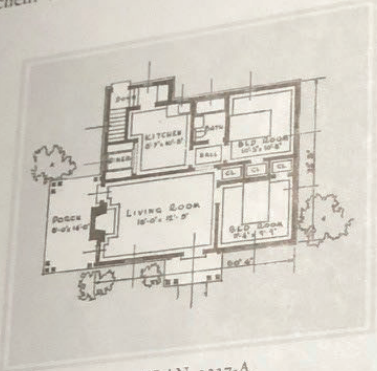
No. 3337-A—No. 3337-B—Honor Built Homes. Already Cut and Fitted.
 Monthly Payments as Low as \$28 to \$40

IF YOU ARE looking for something different in a bungalow design, you surely will find a pleasing exterior and convenient arrangement in the two plans of this Colonial Home.

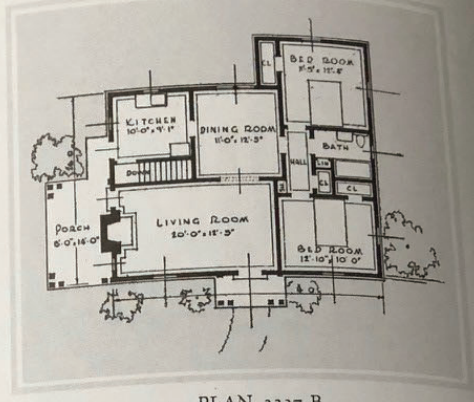
PLAN No. 3337-A—HONOR BUILT HOME contains living room, two well lighted bedrooms, bath and kitchen. It really has five-room efficiency on account of the dining alcove recessed in the left entrance with kitchen. Combination grade and cellar entrance with

refrigerator platform adds to this very compact plan. PLAN No. 3337-B contains five well laid out rooms. Not a foot of waste space. You will find plenty of wall space—plenty of large windows and good closets. Both plans have a 14-ft. by 8-ft. porch with cement floor; a lot of added comfort when screened in the summer.

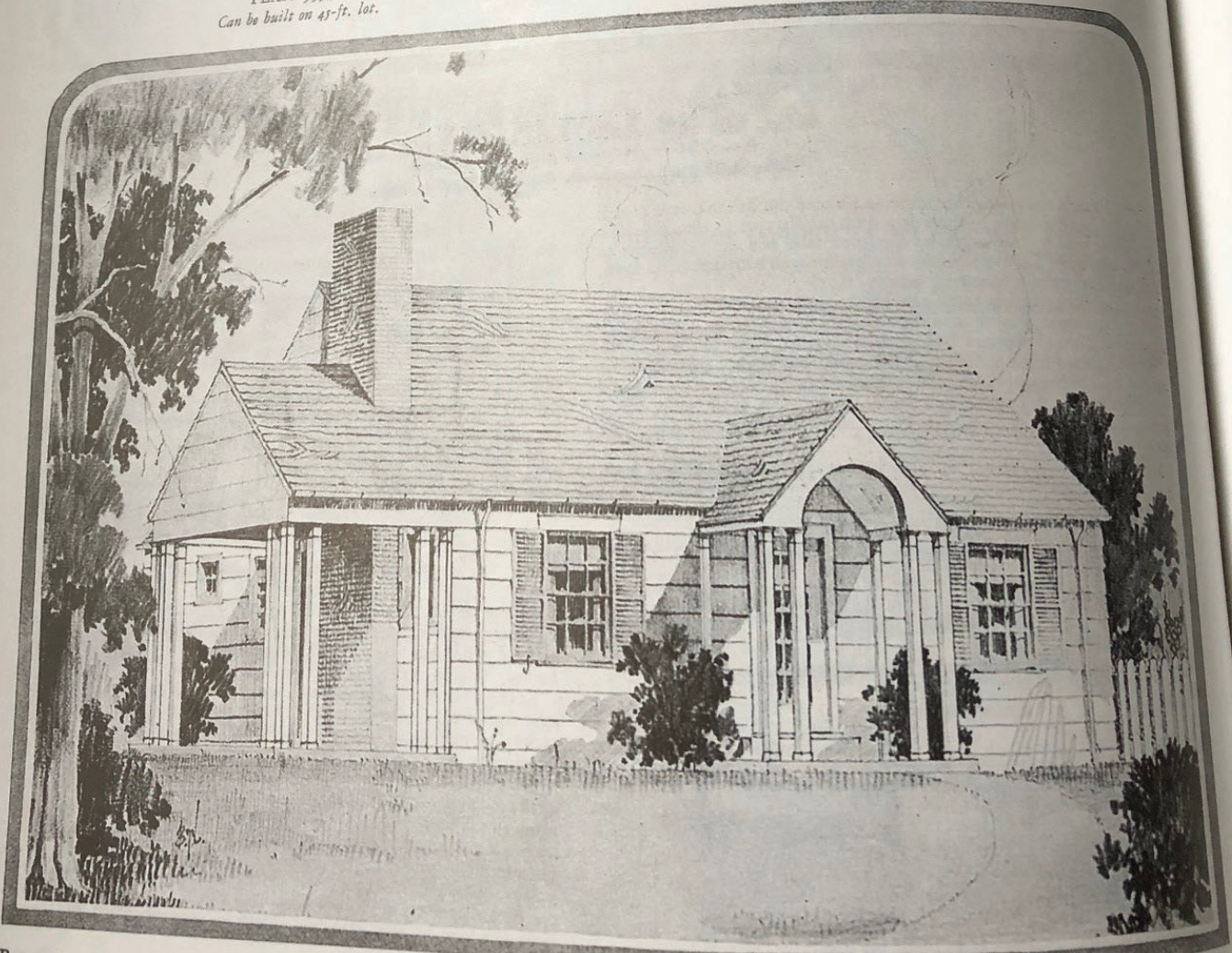
Let us send you a copy of the original 1/8-inch architectural drawings of the Wexford with outline specifications of complete materials furnished.



PLAN 3337-A
 Can be built on 45-ft. lot.



PLAN 3337-B
 Can be built on 50-ft. lot.



THIS floor plan contains five rooms including living room, dining room, kitchen, and two bedrooms. PLAN

Raised Panel Shutters

Raised Panel Shutters add that traditional colonial look. With a traditional 2 panel to custom 3 panel shutters, our extensive selection will surely fit your needs.



SINGLE



EQUAL



OFFSET



THREE EQUAL

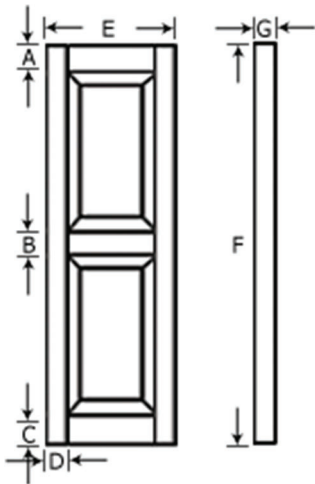


SMALL TOP



SMALL CENTER

Shutter Dimensions



	PINE	CEDAR	REDWOOD	MAHOGANY	COMPOSITE
Top Rail A	3"	3"	3"	3"	3"
Center Rail B	3"	3"	3"	3"	3"
Bottom Rail C	3"	3"	3"	3"	3"
Stiles D	2 1/8"	2 1/8"	2 1/8"	2 1/8"	2 1/8"
Width E	9" to 36"*	9" to 36"*	9" to 36"*	9" to 36"*	9" to 36"*
Height F	15" to 150"*	15" to 150"*	15" to 150"*	15" to 150"*	15" to 150"*
Thickness G	1"	1"	1"	1"	**

*Available in 1/8" increments.

**Composite panels are available for use on all species. Dimensions will be the same as selected species.