

Historical Affairs and Landmark Review Board

Arlington County, Virginia



HALRB Meeting March 20, 2024, CoA 24-06

6733 Langston Blvd.: Request to install a rain barrel, four security cameras, and a whole-home battery, to replace exterior water faucets with new wall hydrants, and to ground a lightning rod.

Eastman-Fenwick House Site Renovations

HPCA24-00011

HALRB Submission #1

March 12th, 2024

Address:

6733 Langston Blvd
Arlington, VA 22205

Homeowners:

Charles and Kathleen Chandler

Table of Contents

Scope of Work..... 1

Site Plan..... 2

Detailed Description of Work..... 3

 1. Exterior faucet replacement..... 3

 2. 100-gallon rain barrel installation..... 4

 3. Whole-home battery installation..... 5

 4. Lightning rod grounding..... 6

 5. Security camera installation..... 7

Site Plat..... 8

Scope of Work

The proposed project involves renovation of several parts of the house’s exterior and surrounding site.

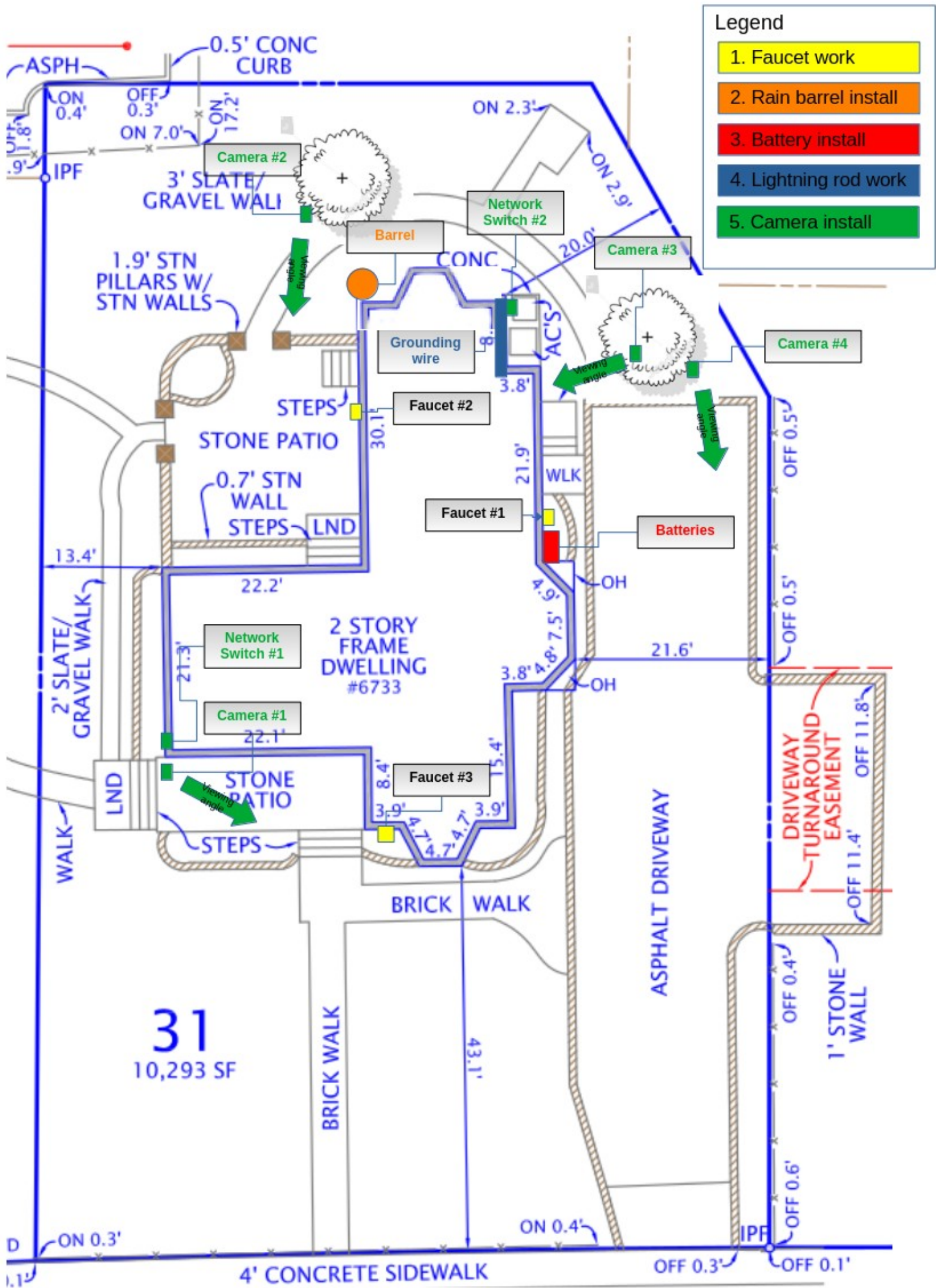
The project scope of work includes:

1. Replacement of the three exterior water faucets with discrete, frost-free wall hydrants and removable faucets in the same location
2. Installation of a rain barrel to help manage stormwater runoff from the roof and take advantage of the new Arlington County stormwater tax incentives; there would be one 100-gallon wooden wine barrel integrated with the downspout of the northwestern gutter system
3. Installation of a whole-home battery; there would be two Tesla Powerwall batteries installed along the driveway-side exterior next to where the electrical and gas come into the home now
4. Grounding of a lightning rod; the northern roofline lightning rod system needs to be connected to ground, and the grounding cable needs to be rerouted and extended along the exterior of the house to reach a safe grounding point
5. Installation of security cameras; four discrete, wired security cameras would be mounted to provide coverage of the exterior of the house and the grounds; one on the front porch, one on a tree overlooking the patio, and two on a tree overlooking the driveway; cable wiring would exit the house via two new penetrations near the foundation line and be attached to a new weatherized/outdoor network switch at each location.

Updates since DRC submission #1 include clarifications requested during the March 6th DRC meeting:

- The metal banding on the rain barrel will be muted so as to blend in with the barrel, either by selecting a barrel which already has this property or by painting the metal bands a color to make them blend in more (such as brown or black). There are a variety of barrels available, some of which have banding that blends in more than the photo originally shown.
- The concrete pad for the whole home batteries will be approximately 16” deep from the wall to the drive way and 34” wide from the left to right side of the battery. The battery will require one to two 3”-diameter openings in the wall for the electrical connections.
- The exterior network switches will require one 1.5” diameter opening in the wall and a small weatherproof enclosure.
- The three tree-mounted security cameras would each be attached to the tree with a treehouse bolt and a 6” square wooden board painted black to match the camera body.

Site Plan



Detailed Description of Work

1. Exterior faucet replacement

Rationale: The three exterior water faucets are hard to access due to the orientation and location of the spouts, one of which is also leaky.

Scope: The existing faucets would be replaced with discrete, frost-free wall hydrants with removable faucets in the same location.

Current state:

Faucet 1: driveway side



Faucet 2: patio side



Faucet 3: front walkway



Proposed replacement: Aquor House Hydrant V2+ Frost Free Wall Hydrant with Quick-Connect and Anti-Siphon:



PROFESSIONAL STANDARD

Manufactured with lead-free, corrosion resistant stainless steel, the best defense against winter and moisture.



AUTOMATIC WINTERIZATION

Automatically drains, seals, winterizes. Providing 7x better freeze protection than a traditional outdoor spigot.



INSTANT QUICK CONNECT

Attach to any garden hose and leave attached for effortless water access anytime. Never thread a hose again.



2. 100-gallon rain barrel installation

Current state of north face, looking south:



Rationale: a rain barrel would help manage rainwater runoff from the roof by collecting water for later use in the garden and align with available incentives from Arlington County's new Stormwater Utility Fee Credit Program

Scope: install a 100 gallon rain barrel with internal electric pump and attach it to the northwest corner gutter downspout with a leaf guard. The barrel would be made from a used wine/spirits barrel in order to match the aesthetics of the period farm house.

Note: the metal bands of the barrel will be chosen to match the wood or or painted a muted color such as brown or black to help them blend in to the barrel.

Proposed addition of 100 gallon rain barrel to NW corner downspout:



Close-up of rain barrel and leaf guard:



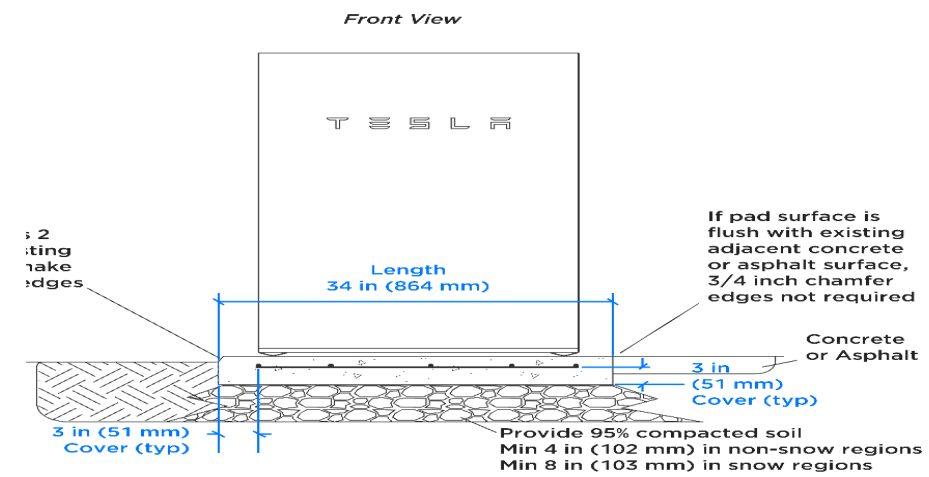
3. Whole-home battery installation

Current driveway side view:

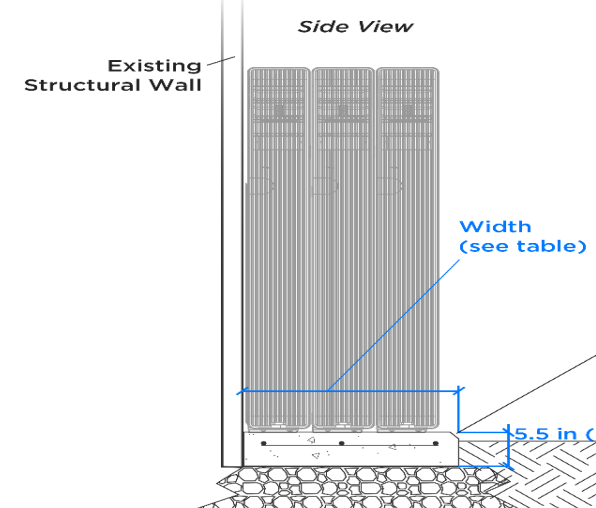


Rationale: a whole home battery would allow better energy management for the house and act as a backup source of power in case of an electrical outage

Scope: install two Tesla Powerwall batteries on a 16"x34" concrete pad in place of the bush on the driveway / East side of the house, in the lee of the bay window so that it is minimally-visible from the street. Wire the batteries into the house through a new exterior wall penetration.



Proposed driveway side, with bush removed and whole-home battery installed (approximate location and scale):

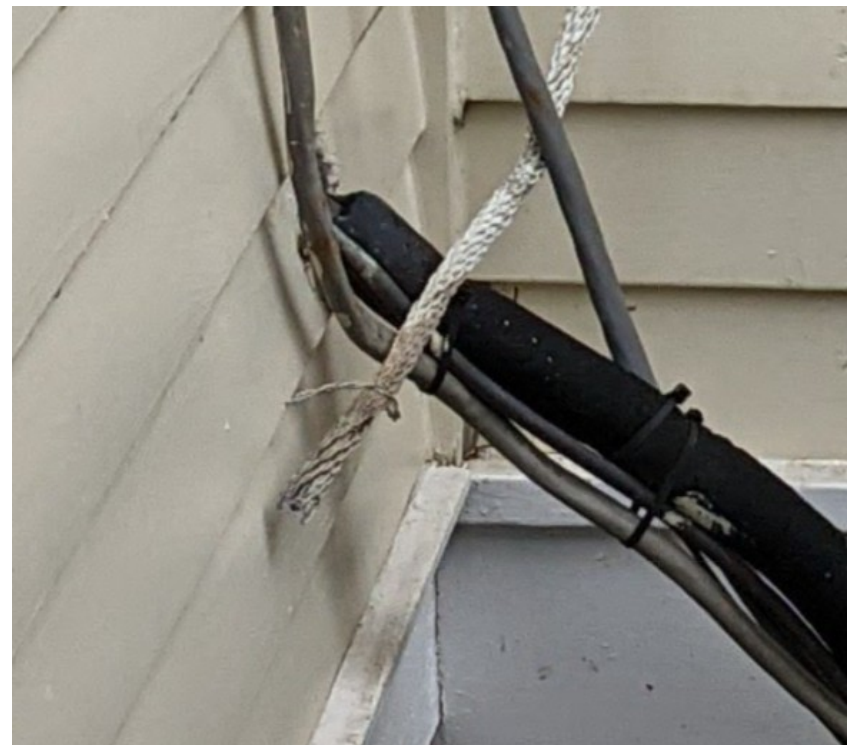


4. Lightning rod grounding

Rationale: It appears as if the lightning rods on the northern part of the roofline used to be grounded near where the AC compressors sit now, but sometime before we purchased the house (perhaps many years ago) the externally mounted grounding wire was detached from the ground and left dangling. There is no obvious location where it would have been grounded, but perhaps it was obscured when the addition to the house was made in 2010, since it was on the same side of the house.

Scope: In order for the grounding wire to reach the ground, it would need to be extended with additional braided wire matching the existing wire; and in order for it to reach the ground safely without passing near the compressors or other wiring, it would need to be rerouted along a different path to the ground farther north on the exterior wall (illustrated with green in the picture)

Current state:



Proposed routing vs. existing:

Existing path →

Proposed path →



5. Security camera installation

Location of network switches and new exterior wall penetrations at the foundation line:

(a) West side of Front Porch, in the lee of the stone steps



(b) Behind the AC compressors on the northeast corner



Proposed cameras: #1 – white, #2-4 – black



Note: the three tree-mounted cameras would each be attached to the trees using a treehouse bolt and a 6" square wooden board painted black to match the camera body.

Proposed camera locations:

(1) Front Porch



(2) Overlooking the patio



(3) Overlooking the driveway side door



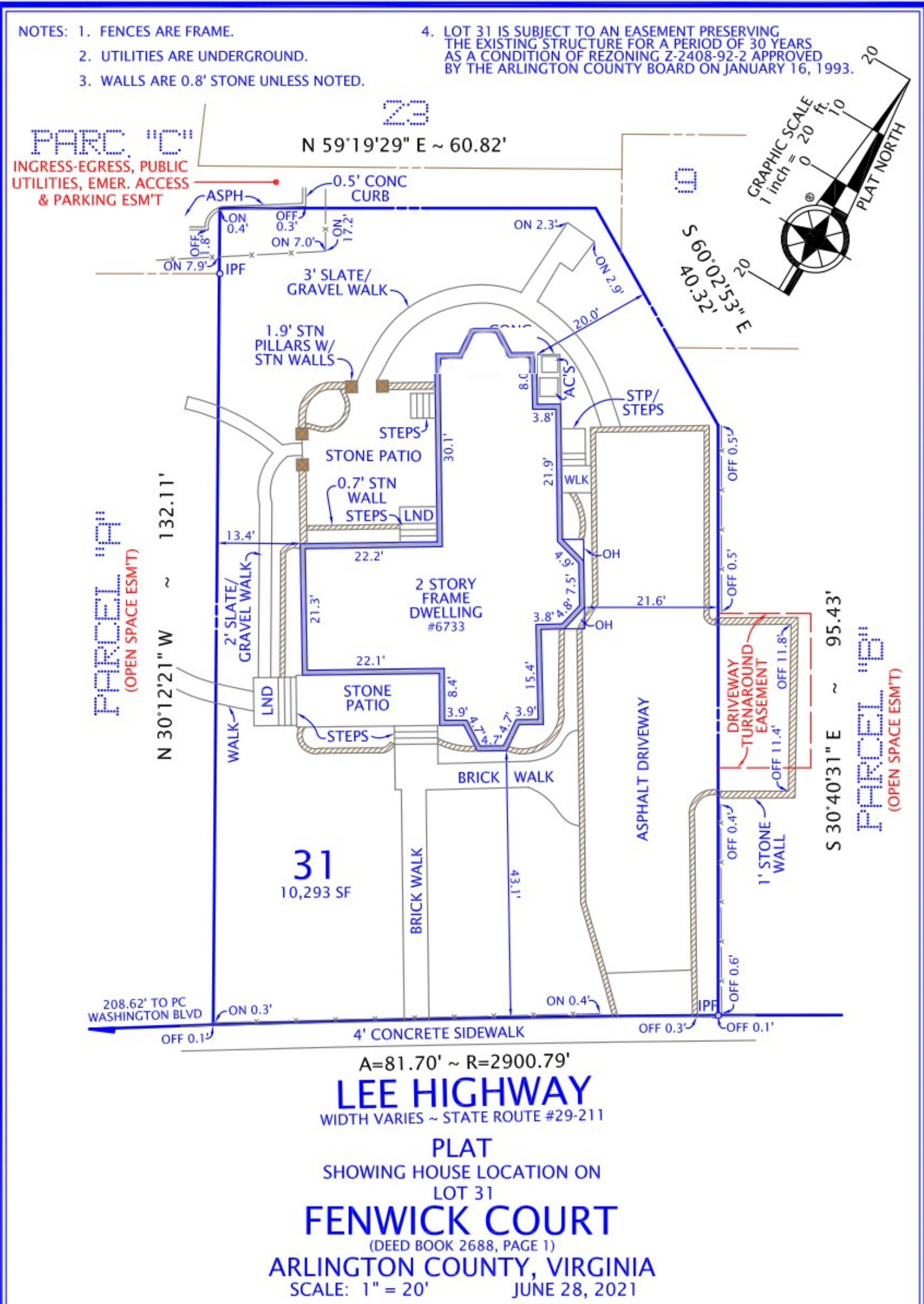
(4) Overlooking the parking lot



Site Plat

- NOTES: 1. FENCES ARE FRAME.
 2. UTILITIES ARE UNDERGROUND.
 3. WALLS ARE 0.8' STONE UNLESS NOTED.

4. LOT 31 IS SUBJECT TO AN EASEMENT PRESERVING THE EXISTING STRUCTURE FOR A PERIOD OF 30 YEARS AS A CONDITION OF REZONING Z-2408-92-2 APPROVED BY THE ARLINGTON COUNTY BOARD ON JANUARY 16, 1993.



COPYRIGHT BY DOMINION SURVEYORS, INC. THE INFORMATION CONTAINED ON THIS DOCUMENT MAY NOT BE COPIED, REPRODUCED OR ALTERED IN ANY FORM WITHOUT PERMISSION IN WRITING FROM THE COPYRIGHT OWNER.

I HEREBY CERTIFY THAT THE POSITIONS OF ALL THE EXISTING IMPROVEMENTS HAVE BEEN CAREFULLY ESTABLISHED BY A CURRENT FIELD SURVEY AND UNLESS SHOWN THERE ARE NO VISIBLE ENCROACHMENTS AS OF THIS DATE:

THIS PLAT IS SUBJECT TO RESTRICTIONS OF RECORD.

A TITLE REPORT WAS NOT FURNISHED.

NO CORNER MARKERS SET.



Ordered by:

RGStitle
 REAL ESTATE SETTLEMENTS
 4600 Lee Highway Suite 110
 Arlington, VA 22207
 PH: 703-528-1122
 Fax: 703-528-9587

DOMINION Surveyors Inc.®
 8808-H PEAR TREE VILLAGE COURT
 ALEXANDRIA, VIRGINIA 22309
 703-619-6555
 FAX: 703-799-6412