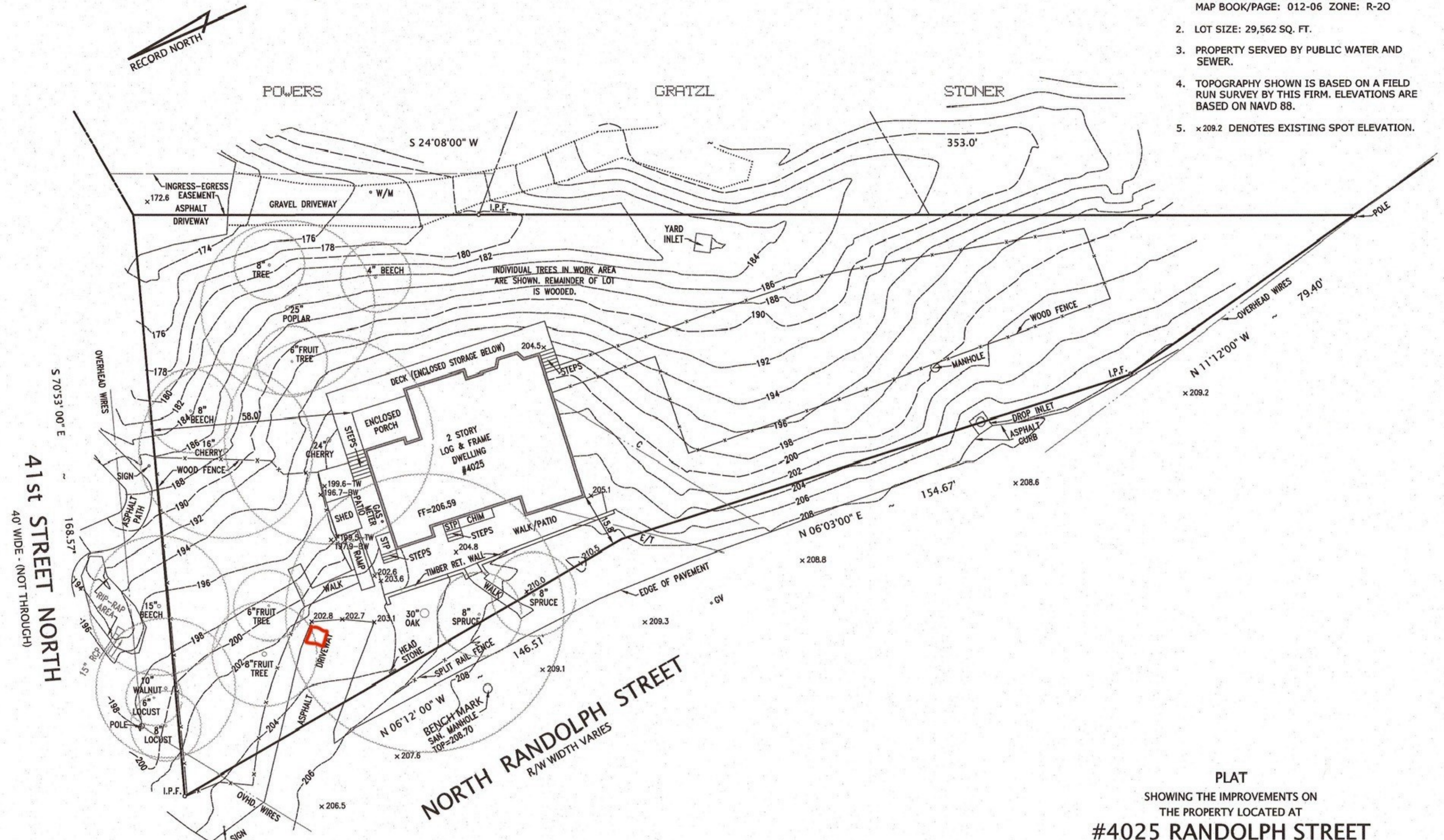
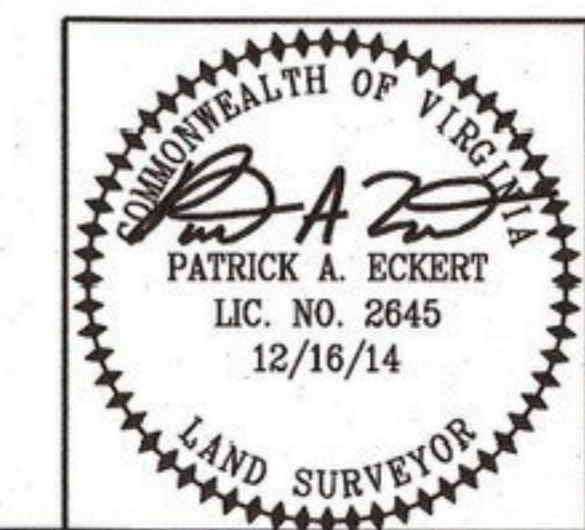
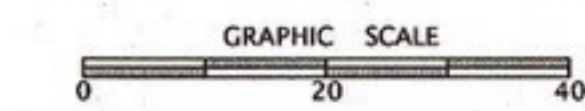


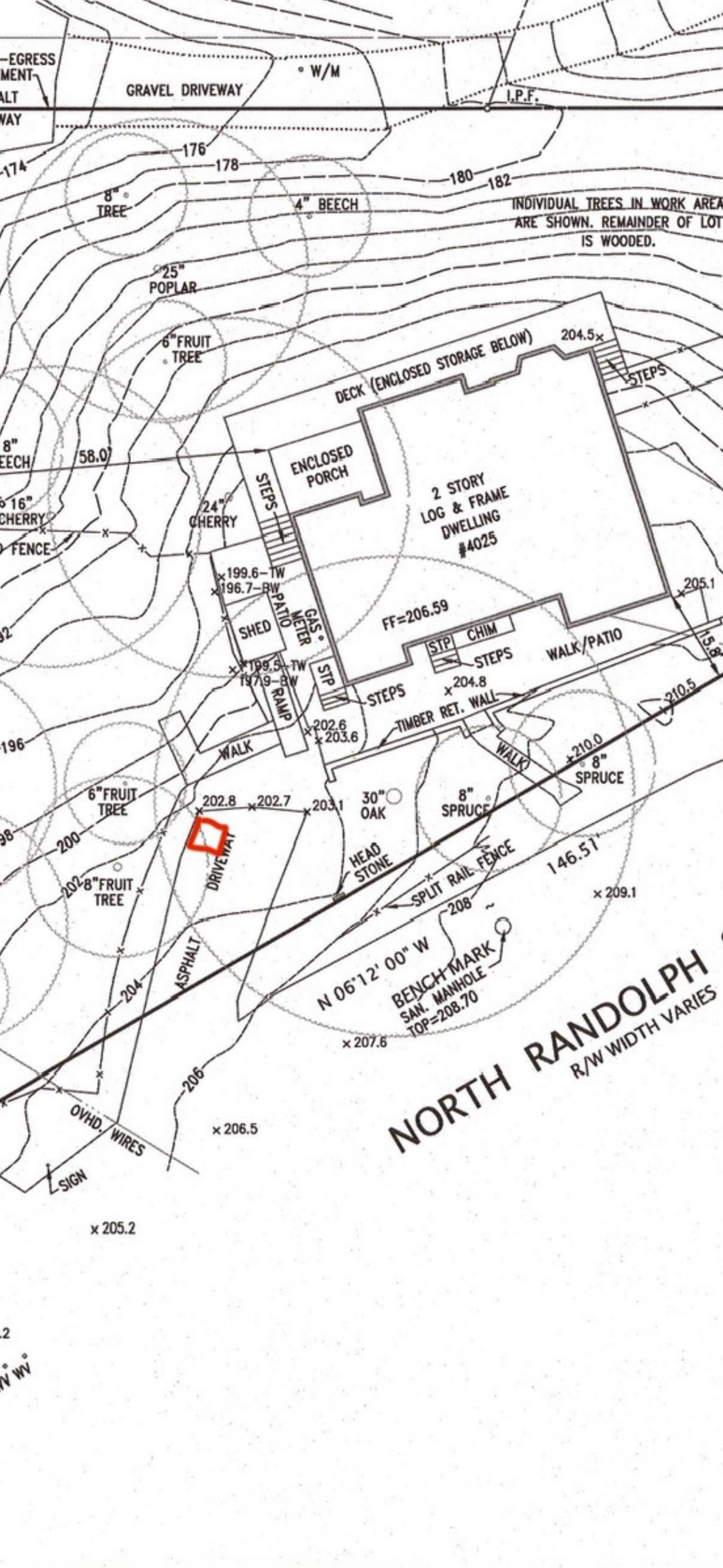
- NOTES:**
1. COUNTY RPC NUMBER: 03-003-046
MAP BOOK/PAGE: 012-06 ZONE: R-20
 2. LOT SIZE: 29,562 SQ. FT.
 3. PROPERTY SERVED BY PUBLIC WATER AND SEWER.
 4. TOPOGRAPHY SHOWN IS BASED ON A FIELD RUN SURVEY BY THIS FIRM. ELEVATIONS ARE BASED ON NAVD 88.
 5. x209.2 DENOTES EXISTING SPOT ELEVATION.



PLAT
 SHOWING THE IMPROVEMENTS ON
 THE PROPERTY LOCATED AT
#4025 RANDOLPH STREET
 ARLINGTON COUNTY, VIRGINIA
 SCALE: 1" = 20' NOVEMBER 24, 2014



THE POSITION OF THE EXISTING IMPROVEMENTS HAS BEEN ESTABLISHED BY AN ON SITE INSTRUMENT SURVEY.	PLAT PREPARED WITHOUT THE BENEFIT OF A TITLE REPORT. THIS PLAT IS SUBJECT TO RESTRICTIONS AND EASEMENTS OF RECORD OR ESTABLISHED. NO CORNER MARKERS SET.
CASE NAME: JENSEN	ALTERRA SURVEYS, INC.
ORDERED BY: KEYSTONE ARCHITECTS PC	11350 RANDOM HILLS ROAD #430 FAIRFAX, VIRGINIA 22030 TEL. NO. 703-520-1558 FAX NO. 703-995-4800 INBOX@ALTERRASURVEYS.COM



GRAVEL DRIVEWAY

W/M

I.P.F.

8" TREE

4" BEECH

INDIVIDUAL TREES IN WORK AREA ARE SHOWN. REMAINDER OF LOT IS WOODED.

25" POPLAR

6" FRUIT TREE

DECK (ENCLOSED STORAGE BELOW)

ENCLOSED PORCH

2 STORY LOG & FRAME DWELLING #4025

24" CHERRY

STEPS

PATIO

SHED

GAS METER

RAMP

FF=206.59

STP CHIM

STEPS

WALK/PATIO

STEPS

TIMBER RET. WALL

WALK

6" FRUIT TREE

30" OAK

8" SPRUCE

8" SPRUCE

DRIVEWAY

HEAD STONE

SPLIT RAIL FENCE

N 06°12' 00" W

BENCH MARK SAN. MANHOLE TOP=208.70

NORTH RANDOLPH
R/W WIDTH VARIES

OVHD. WIRES

SIGN

x 205.2

x 206.5

x 207.6

x 209.1

146.51'

210.5

205.1

204.5x

58.0'

x 199.6-TW

x 196.7-BW

x 199.5-TW

x 197.9-BW

x 202.6

x 203.6

x 202.8

x 202.7

x 203.1

204

206

174

176

178

180

182

196

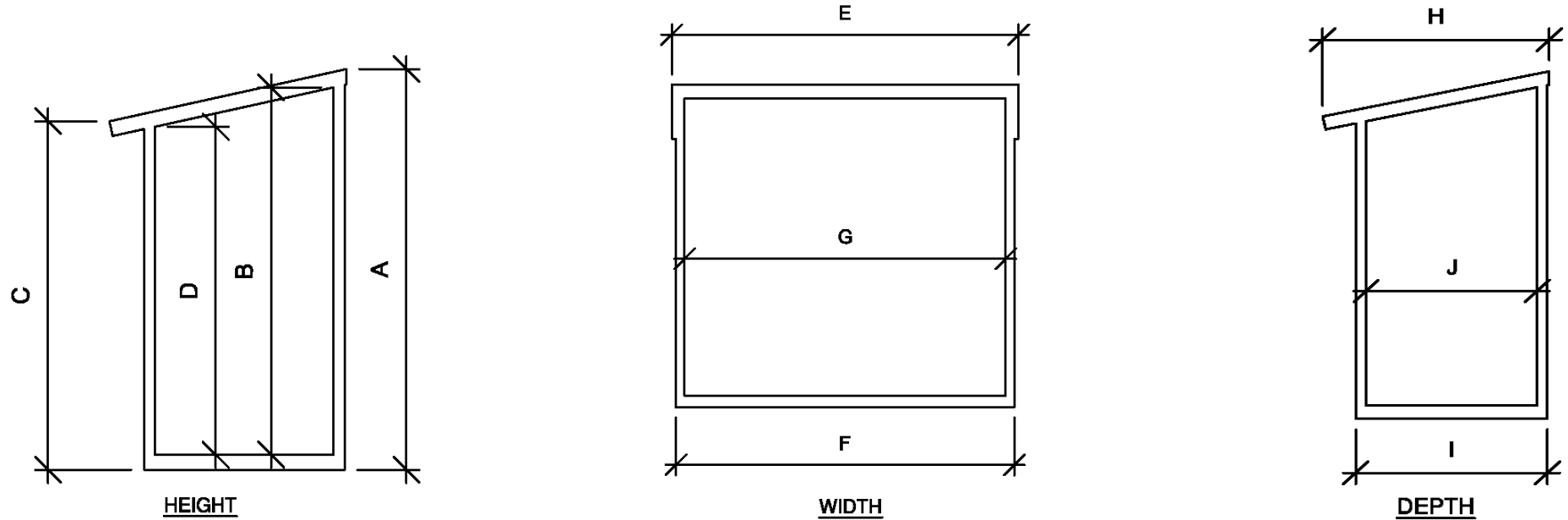
198

2

W W

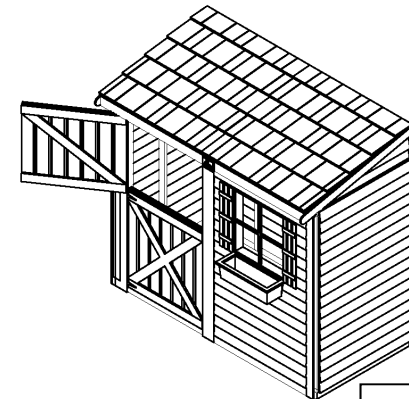


Cedar Shed Bayside Shed Specification Sheet



Model	B63	B83	B84	B124
Floor Size	74" x 34 ½"	98" x 34 ½"	98" x 46 ½"	144" x 46 ½"
Height	A	92 ½"	92 ½"	94 ½"
	B	83"	83"	83"
	C	83"	83"	83"
	D	73"	73"	73"
Width	E	86"	110"	156"
	F	76"	100"	146"
	G	69"	93"	93"
Depth	H	42"	42"	52"
	I	36"	36"	48"
	J	29 ½"	29 ½"	41 ½"
Door Opening	30" x 73"	36" x 73"	36" x 73"	36" x 73"
Window Size	16" x 25 ¼"	23" x 25 ¼"	23" x 25 ¼"	23" x 25 ¼"
Weight	501 Lbs.	679 Lbs.	707 Lbs.	890 Lbs.
Package Size	80"x48"x29"	80"x48"x34"	80"x48"x43"	80"x48"x48"

Western Red Cedar Pre-Shingled Roof Panels
 Wall and Roof Framing is 2" x 3" SPF
 Floor Framing is 2" x 4" Cedar Floor Joists
 on 16" centers and 5/8" plywood
 Wood Siding is Cedar Bevel Siding
 Window panel can be placed on any side of the Shed
 All windows are Plexi-glass windows : 1/8" thick



B84 Model Shown

SHED WOULD BE
FLUSH AGAINST
THIS RAILING



SHED
KIT



View
facing
south





