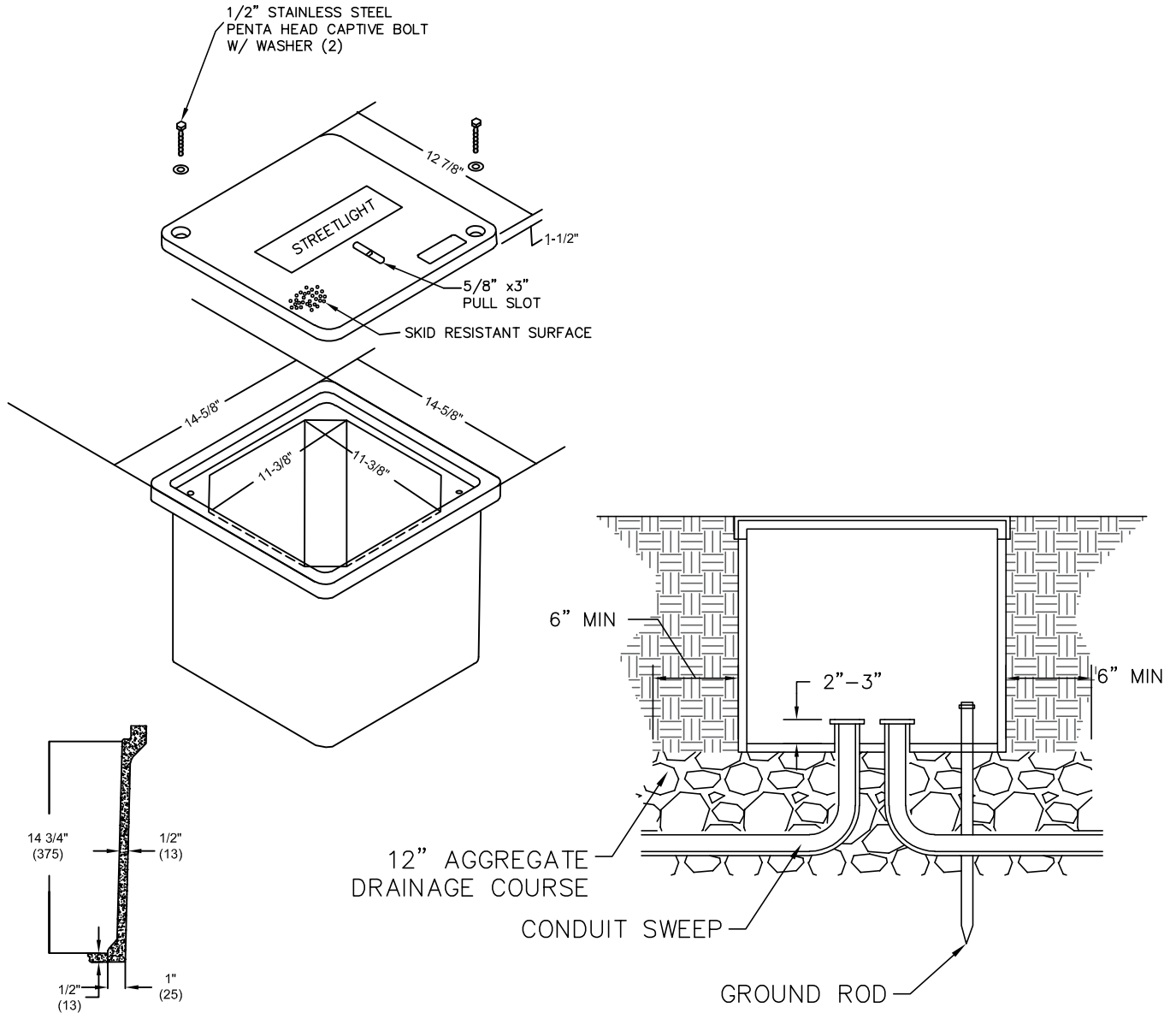


BOXES (STACKABLE)
COVERS

	DESCRIPTION	DIMENSION A	DESIGN/TEST LOAD #	ANSI TIER*
JUNCTION BOX	OPEN BOTTOM	12-7/8"	22,500/33,750	22
COVER	HEAVY DUTY W/2 BOLTS	N/A	22,500/33,750	22

DIMENSIONS & WEIGHTS IN PARENTHESES ARE METRIC EQUIVALENT.

* LOADINGS COMPLY WITH ANSCI/SCTE 77



NOTES:

1. ALL CONDUIT SHALL HAVE 2" SEPARATION AND WITH GROUNDING END BUSHING INSTALLED.
2. JUNCTION BOX SHALL HAVE MIN. 4" CLEARANCE NEAR THE CURB.
3. JUNCTION BOX SHALL INCLUDE A 5/8" DIA CU. GROUND ROD INSTALLED PER NEC ARTICLE 250 WITH A MINIMUM OF 8 FEET OF CONTACT WITH SOIL.

SMALL JUNCTION BOX

1 09/23

REVISION & DATE



ARLINGTON COUNTY, VIRGINIA
DEPARTMENT OF ENVIRONMENTAL SERVICES

DRAWING NO.
14040-01