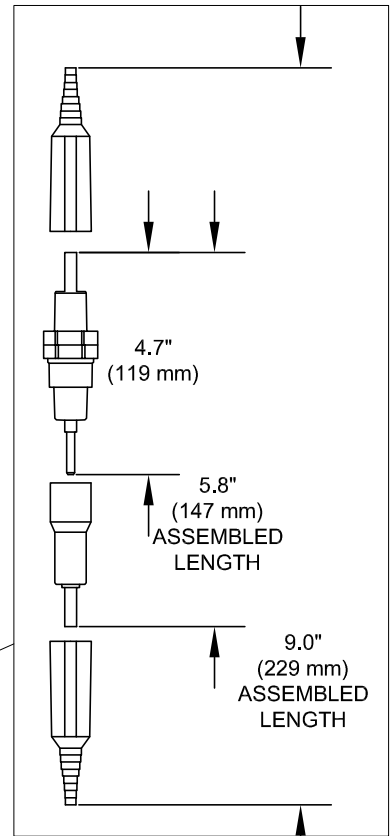
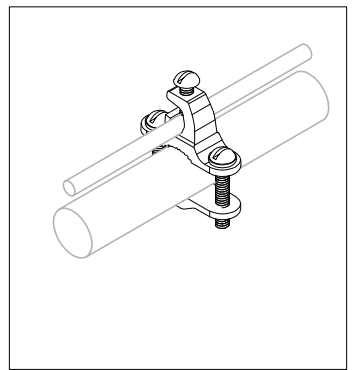
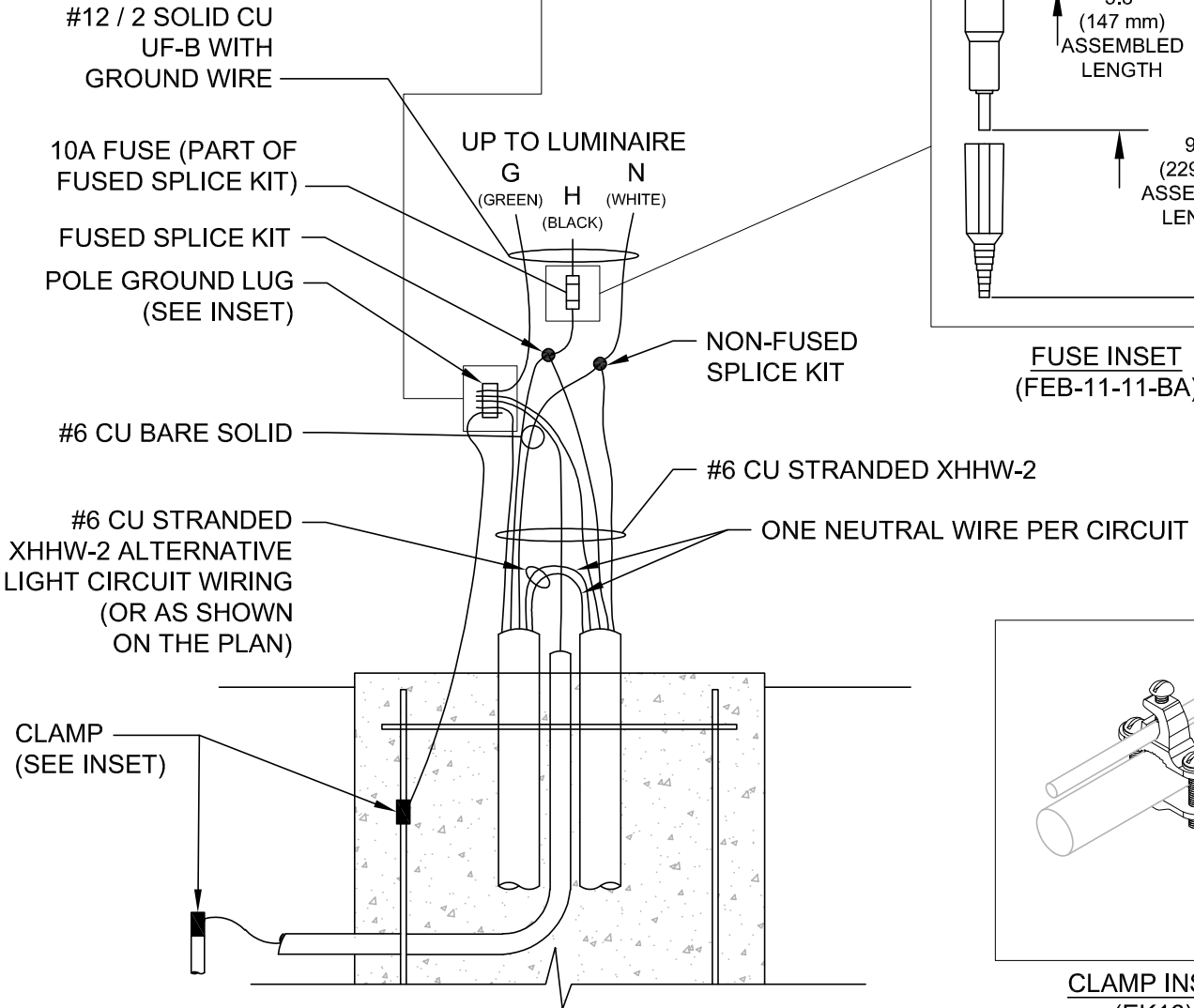


**GROUND LUG INSET**  
(PART # AU-250)



**FUSE INSET**  
(FEB-11-11-BA)



**CLAMP INSET**  
(EK16)

**NOTES:**

1. CONTRACTOR SHALL INSTALL 4' SLACK OF ALTERNATE CIRCUIT CONDUCTOR IN THE BASE OF THE POLES WHERE THERE IS NO JUNCTION BOX PRESENT BETWEEN ALTERNATE POLES.

**LIGHT POLE WIRING DETAIL**

REVISION & DATE



ARLINGTON COUNTY, VIRGINIA  
DEPARTMENT OF ENVIRONMENTAL SERVICES

DRAWING NO.  
**14050-01**