

\*THIS BOLT CIRCLE AND FOUNDATION TYPE ARE GENERALLY USED FOR STREET LIGHTS UP TO 16' IN HEIGHT.

(4) 3/4"x27"x3" ELL H.D. GALV. ANCHOR BOLTS W/ (2) HEX NUTS, 2" O.D. FLAT WASHERS PER BOLT

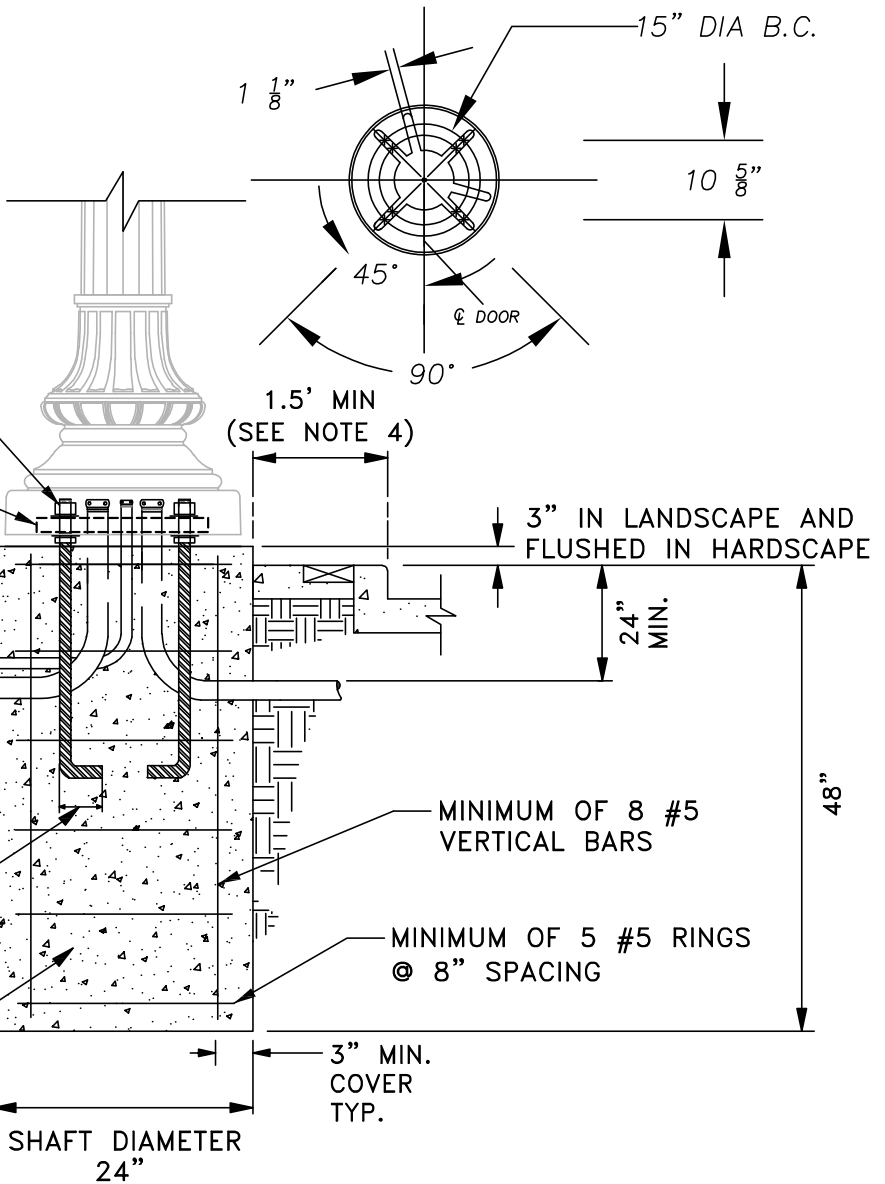
POLE BASE PLATE

FINISHED GRADE

1" PVC FOR GROUND ROD

5/8" DIA. CU. GROUND ROD PER NEC REQUIREMENTS. SEE NOTE 5 FOR WIRING DETAILS

VDOT CLASS A3 GENERAL CONCRETE



**NOTES:**

1. BOLT HOLE PATTERN SHALL BE PARALLEL TO THE CURB.
2. ALL BARS SHALL HAVE MINIMUM OF 3" OF CONCRETE COVER.
3. NO WIRING DETAILS ARE SHOWN IN THIS DRAWING. REFER TO DRAWING 14050-01 FOR WIRING DETAIL.
4. MINIMUM OFFSET FROM FACE OF CURB. REFER TO SPECIFIC STATION AND OFFSET DISTANCES ON PLANS. CONFIRM FIELD ADJUSTMENT AS REQUIRED.
5. THE CONTACT LENGTH SHALL BE PER NEC ARTICLE 250. GENERALLY, THE GROUND ROD SHALL BE BELOW MOISTURE LEVEL WITH MINIMUM SOIL CONTACT OF 8', OR 45 DEGREE ANGLE, OR LAID 30" DEEP HORIZONTALLY.
6. CONTRACTOR TO ENSURE ADEQUATE SPACING BETWEEN CONDUITS FOR INSTALLATION OF BUSHINGS/BELLED ENDS
7. THIS FOUNDATION IS DESIGNED BASED ON TYPICAL SOIL PARAMETERS AS DETAILED IN GENERAL PARAGRAPHS OF THE SECTION 14060 ARLINGTON COUNTY LIGHTING SPECS. IF ACTUAL SITE CONDITION VARY FROM THOSE ASSUMPTIONS, A SPECIAL FOUNDATION DESIGN MAY BE REQUIRED.
8. THE CONCRETE SHALL BE VDOT CLASS A3 GENERAL CLASS.

**STREETLIGHT POLE FOUNDATION  
STANDARD DEPTH**

1	09/23
REVISION & DATE	



ARLINGTON COUNTY, VIRGINIA  
DEPARTMENT OF ENVIRONMENTAL SERVICES

DRAWING NO.  
**14060-01**