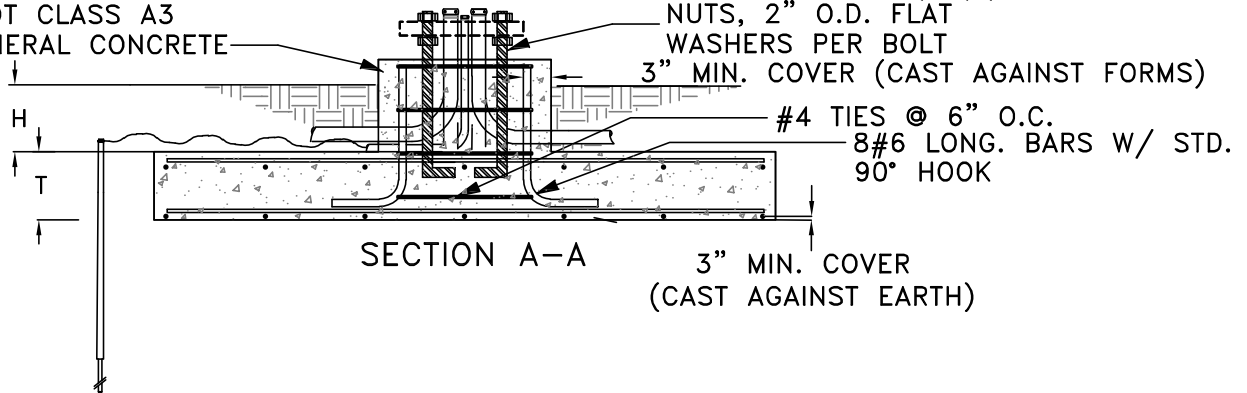


PLAN VIEW

\* NOT TO SCALE

VDOT CLASS A3  
GENERAL CONCRETE



SECTION A-A

3" MIN. COVER  
(CAST AGAINST EARTH)

POLE ID	D	H	T	W	TOP (EACH WAY)	BOTTOM (EACH WAY)
16' POLE	2'-6"	1'-0"	1'-0"	5'-0"	7-#4	7-#4

NOTES:

1. THIS FOUNDATION IS DESIGNED BASED ON TYPICAL SOIL PARAMETERS AS DETAILED IN THE GENERAL PARAGRAPHS OF THE SECTION 14060 ARLINGTON COUNTY LIGHTING SPECS. IF ACTUAL SITE CONDITION VARY FROM THOSE ASSUMPTIONS, A SPECIAL FOUNDATION DESIGN MY BE REQUIRED.
2. PRE-APPROVAL FROM THE COUNTY IS REQUIRED.
3. ALL BARS SHALL HAVE MINIMUM OF 3" OF CONCRETE COVER.
4. FOUNDATION SHALL BE GROUNDED PER NEC USING CLAMPS AND WIRING OUTLINED IN DRAWING 14050-01.
5. THE CONTACT LENGTH SHALL BE PER NEC ARTICLE 250. GENERALLY, THE GROUND ROD SHALL BE BELOW MOISTURE LEVEL WITH MINIMUM SOIL CONTACT OF 8', OR 45 DEGREE ANGLE, OR LAID 30" DEEP HORIZONTALLY.
6. THE CONCRETE SHALL BE VDOT CLASS A3 GENERAL CLASS.

STREETLIGHT POLE FOUNDATION  
SHALLOW DEPTH

1 09/23

REVISION & DATE



ARLINGTON COUNTY, VIRGINIA  
DEPARTMENT OF ENVIRONMENTAL SERVICES

DRAWING NO.  
**14060-02**