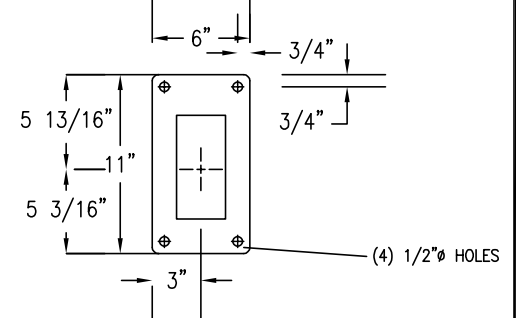
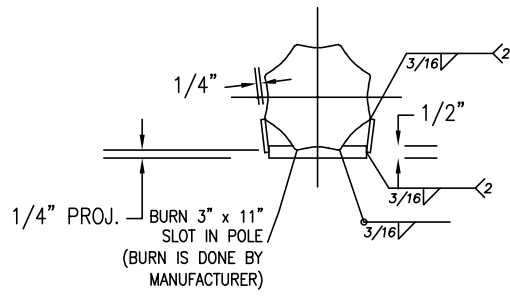
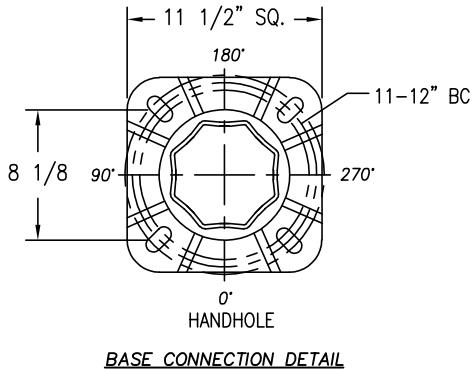
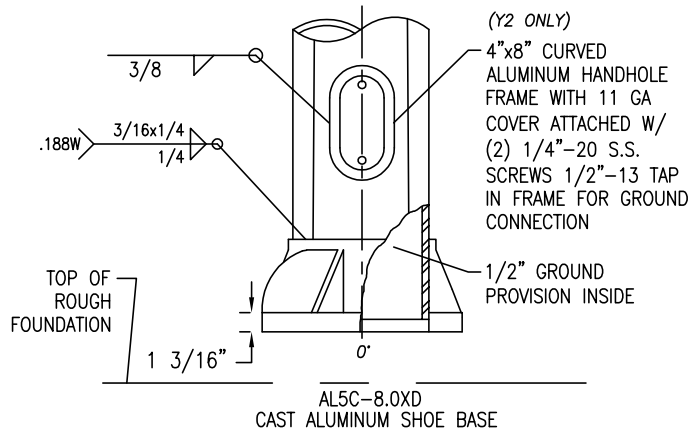


(1) 2 9/16" DIA HOLE IN POLE

2-BOLT SIMPLEX LUMINAIRE ARM CONNECTION DETAIL



REAR MOUNT LUMINAIRE ARM CONNECTION DETAIL



OCTAFLUTE ALUMINUM ROADWAY LIGHT POLE DETAILS

REVISION & DATE	



ARLINGTON COUNTY, VIRGINIA
DEPARTMENT OF ENVIRONMENTAL SERVICES

DRAWING NO.
14080-05