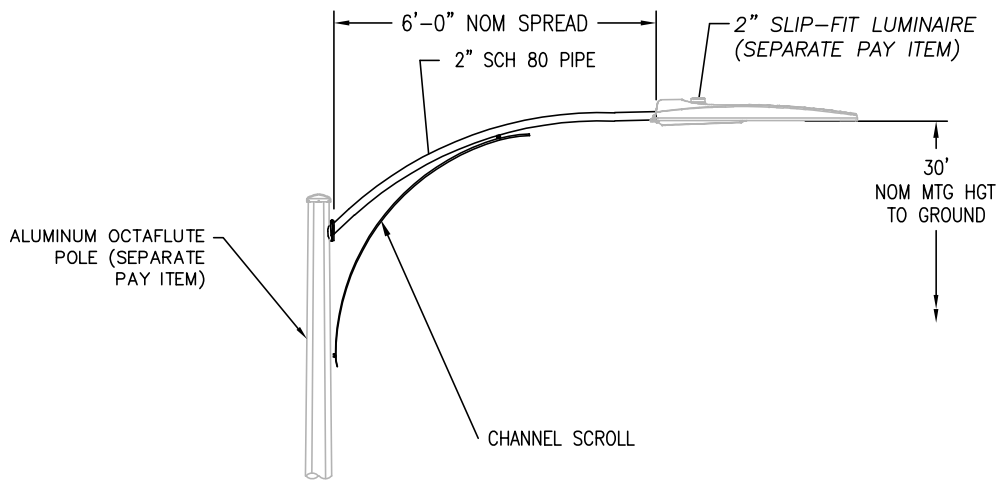
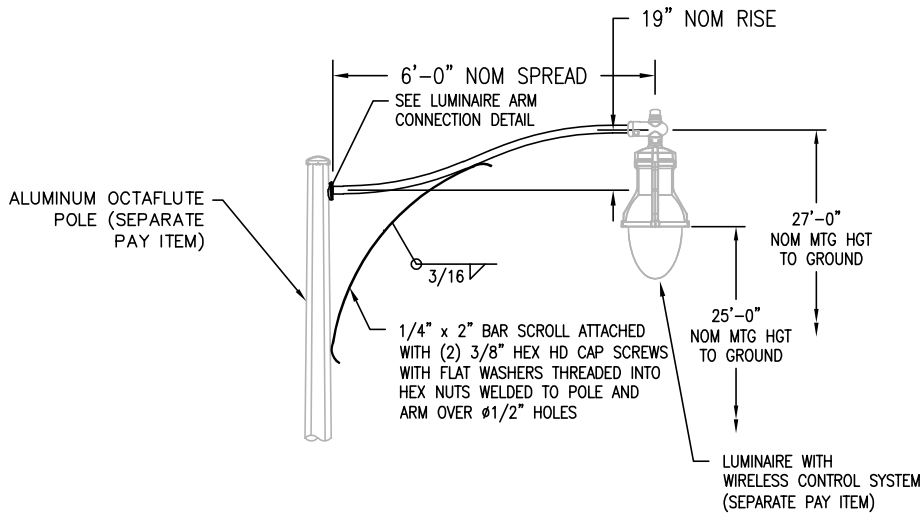


STANDARD



UPSWEEP



S-CURVE

ROADWAY LUMINAIRE ARM TYPES

REVISION & DATE



ARLINGTON COUNTY, VIRGINIA
DEPARTMENT OF ENVIRONMENTAL SERVICES

DRAWING NO.
14090-01