

**FOR MAINTENANCE
USE, ONLY**

SEE CENTRAL
STREETLIGHT CONTROL
CONFIGURATION
DETAIL

200 AMP
RINGLESS
METER SOCKET
(METER
SUPPLIED AND
INSTALLED BY
DE)

MIDWEST ELECTRIC
PRODUCTS INC.
MODEL R281C1P6H
METER PEDESTAL

COMPACTED SOIL OR
UNDISTURBED GROUND

JUNCTION BOX PER
14040-02

84"

4"

24"

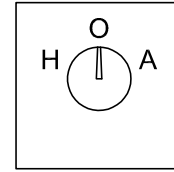
2" CONDUIT

CLAMP
(SEE INSET)

TO STREETLIGHTS

CLAMP
(SEE INSET)

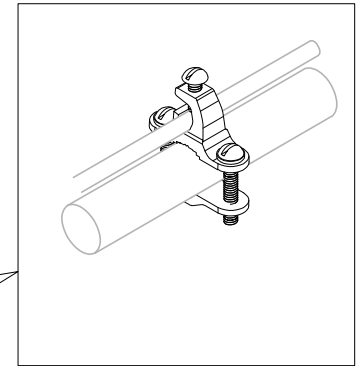
GROUND RODS
SEPARATED BY
6' MINIMUM



CONTACTOR



PHOTOCELL



CLAMP INSET
(EK16)

TO SERVICE
(MAINTAINED
BY DE)

NOTES:

1. RESISTANCE TEST SHALL BE CARRIED OUT BY THE LIGHTING CONTRACTOR DURING THE METER PEDESTAL INSTALLATION.
2. MAXIMUM RESISTANCE SHALL NOT EXCEED 25 OHMS.

ELECTRICAL SERVICE

1 09/23

REVISION & DATE



ARLINGTON COUNTY, VIRGINIA
DEPARTMENT OF ENVIRONMENTAL SERVICES

DRAWING NO.
14100-01