

- NOTE:
1. REFLECTIVE SURFACE (SIDE WITH PROTECTIVE COATING) OF 3103 MUST FACE AWAY FROM BRACKETS (3102).
  2. CONTRACTOR SHALL ENSURE CORRECT ORIENTATION OF THE GLOBE DURING INSTALLATION. THE STREET SIDE WILL HAVE A DIFFERENT PRISM THAN THE SIDEWALK/HOUSE SIDE.

NON-REFLECTIVE SIDE  
SEE NOTE 1

REFRACTOR GLOBE:  
PRISMATIC ACRYLIC,  
TYPE V OPTICS

DRIVER COVER:  
DIE-CAST ALUMINUM  
W/ TOOL-LESS ENTRY

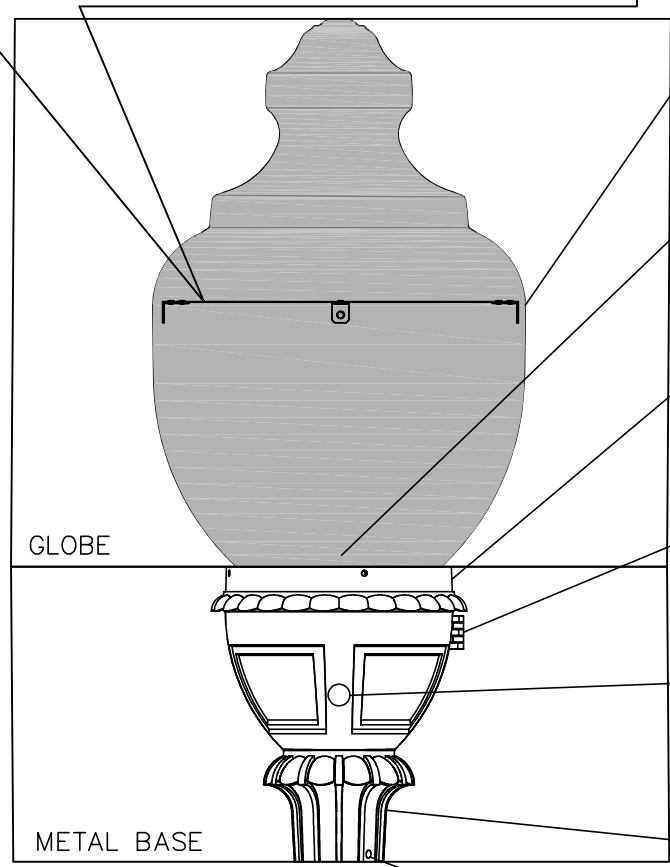
GLOBE HOLDER:  
DIE-CAST ALUMINUM  
W/ TWIST-LOCK RING

DRIVER ENCLOSURE:  
DIE-CAST ALUMINUM,  
WEATHERPROOF W/  
TOOL-LESS ENTRY  
(ACCESS DOOR TO BE ON THE  
TRAFFIC SIDE OF POLE)

PHOTO CONTROL:  
TWIST-LOCK RECEPTACLE

SLIP FITTER:  
3" I.D.

FASTENERS:  
STAINLESS STEEL  
HEX HEAD BOLTS



## DECORATIVE POST-TOP LUMINAIRE

REVISION & DATE	



ARLINGTON COUNTY, VIRGINIA  
DEPARTMENT OF ENVIRONMENTAL SERVICES

DRAWING NO.  
**14110-01**